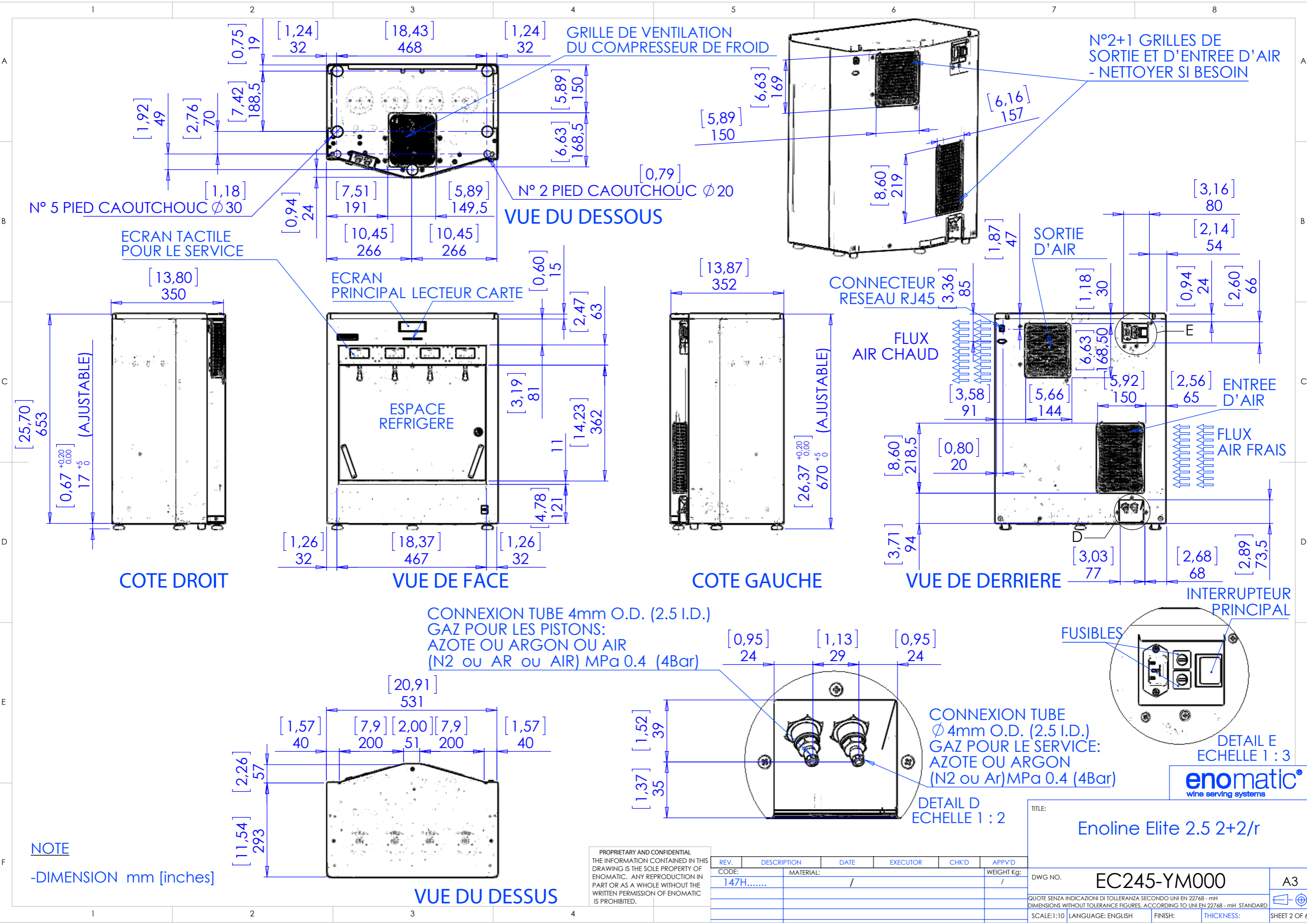




TITLE:		Enoline Elite 2.5 2+2/r	
DWG NO.	EC245-YM000	A3	
<small>QUOTE SENZA INDICAZIONI DI TOLLERANZA SECONDO UNI EN 22768 - mH DIMENSIONS WITHOUT TOLERANCE FIGURES, ACCORDING TO UNI EN 22768 - mH. STANDARD</small>			
SCALE:1:5	LANGUAGE: ENGLISH	FINISH:	THICKNESS:
SHEET 1 OF 6			

PROPRIETARY AND CONFIDENTIAL
 THE INFORMATION CONTAINED IN THIS DRAWING IS THE SOLE PROPERTY OF ENOMATIC. ANY REPRODUCTION IN PART OR AS A WHOLE WITHOUT THE WRITTEN PERMISSION OF ENOMATIC IS PROHIBITED.

REV.	DESCRIPTION	DATE	EXECUTOR	CHK'D	APPV'D
00	ISSUE	05/08/2015	M. BAGNOLI		
147H.....		/			
CODE:		MATERIAL:		WEIGHT Kg:	



NOTE
-DIMENSION mm [inches]

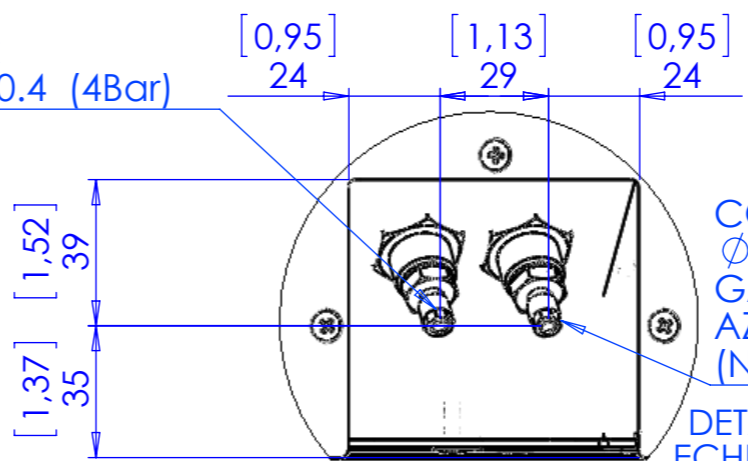
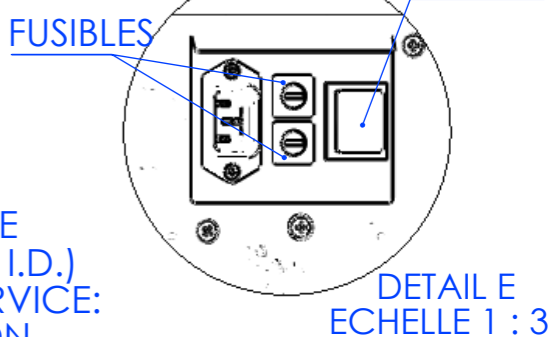
PROPRIETARY AND CONFIDENTIAL
THE INFORMATION CONTAINED IN THIS
DRAWING IS THE SOLE PROPERTY OF
ENOMATIC. ANY REPRODUCTION IN
PART OR AS A WHOLE WITHOUT THE
WRITTEN PERMISSION OF ENOMATIC
IS PROHIBITED.

REV.	DESCRIPTION	DATE	EXECUTOR	CHK'D	APPV'D
CODE:	MATERIAL:				WEIGHT Kg:
147H.....	/	/			/

TITLE: Enoline Elite 2.5 2+2/r		
DWG NO.	EC245-YM000	A3
QUOTE SENZA INDICAZIONI DI TOLLERANZA SECONDO UNI EN 22768 - mH DIMENSIONS WITHOUT TOLERANCE FIGURES, ACCORDING TO UNI EN 22768 - mH STANDARD		
SCALE:1:10	LANGUAGE: ENGLISH	FINISH: THICKNESS:
		SHEET 2 OF 6

CONNEXION TUBE 4mm O.D. (2.5 I.D.)
GAZ POUR LES PISTONS:
AZOTE OU ARGON OU AIR
(N2 ou AR ou AIR) MPa 0.4 (4Bar)

CONNEXION TUBE
Ø 4mm O.D. (2.5 I.D.)
GAZ POUR LE SERVICE:
AZOTE OU ARGON
(N2 ou Ar) MPa 0.4 (4Bar)



VUE DU DESSOUS
GRILLE DE VENTILATION DU COMPRESSEUR DE FROID
N° 2 PIED CAOUTCHOUC Ø 20
N° 5 PIED CAOUTCHOUC Ø 30
ECRAN TACTILE POUR LE SERVICE
ECRAN PRINCIPAL LECTEUR CARTE
CONNEXION TUBE RESEAU RJ45
SORTIE D'AIR
ENTREE D'AIR
FLUX AIR CHAUD
FLUX AIR FRAIS
INTERRUPTEUR PRINCIPAL
FUSIBLES
DETAIL E ECHELLE 1 : 3
DETAIL D ECHELLE 1 : 2

VUE DE FACE
ESPACE REFRIGERE

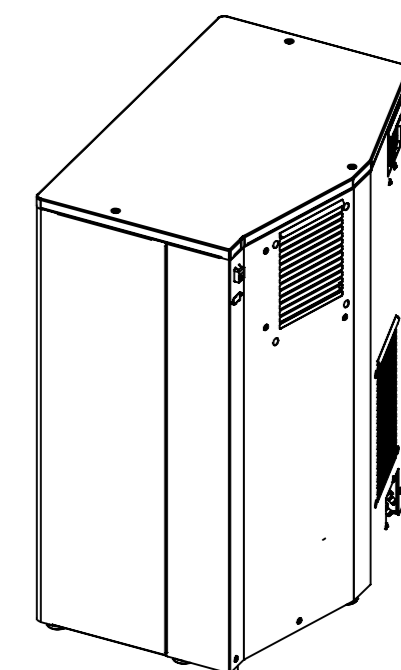
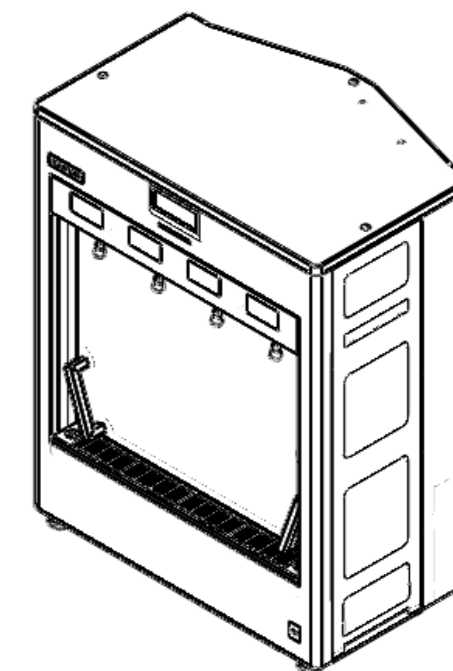
VUE DE DERRIERE
FLUX AIR CHAUD
FLUX AIR FRAIS

VUE DU DESSUS
CONNEXION TUBE 4mm O.D. (2.5 I.D.)
GAZ POUR LES PISTONS:
AZOTE OU ARGON OU AIR
(N2 ou AR ou AIR) MPa 0.4 (4Bar)

COTE DROIT
COTE GAUCHE

ENOLINE ELITE 2.5 2+2/r

TAILLE	HAUTEUR (MIN -MAX)	670-675 mm [26.37-26.58]				
	PROFONDEUR	352 mm [13.77]				
	LARGEUR	531 mm [20.91]				
POIDS (Kg)	43 Kg					
MATERIAUX	ACIER INOXYDABLE AISI 304 - ACIER PEINT					
SPECIFICATIONS ELECTRIQUES	MODELES DISPONIBLES					
	VOLTAGE (V)	100	115	110-127	200-220	220-240
	FREQUENCE (Hz)	50-60	60	60	50-60	50
	PUISSANCE (W)	115	115	115	115	115
	FUSIBLES	2X8Amp@125V	2X8Amp@V125	2X8Amp@125V	2X8Amp@250V	2X8Amp@250V
SPECIFICATIONS DU COMPRESSEUR DE FROID	GAZ REFRIGERANT	R-134A				
	CONTROLE TEMPERATURE	CONTROLEUR ELECTRONIQUE				
	METHODE DEGRIVAGE	AUTOMATIQUE PAR CONTROLEUR ELECTRONIQUE				
	AFFICHAGE TEMPERATURE	DIGITAL				
PRESSION DU GAZ POUR LE SERVICE (ARGON OU AZOTE)		MPa 0.4 (4 Bar)				
PRESSION DU GAZ POUR LES PISTONS (ARGON OU AZOTE OU AIR)		MPa 0.4 (4 Bar)				
FORMAT DES BOUTEILLES	HAUTEUR	280÷360mm [11.024÷14.173]				
	Ø MAX	102mm [4.016]				



NOTE

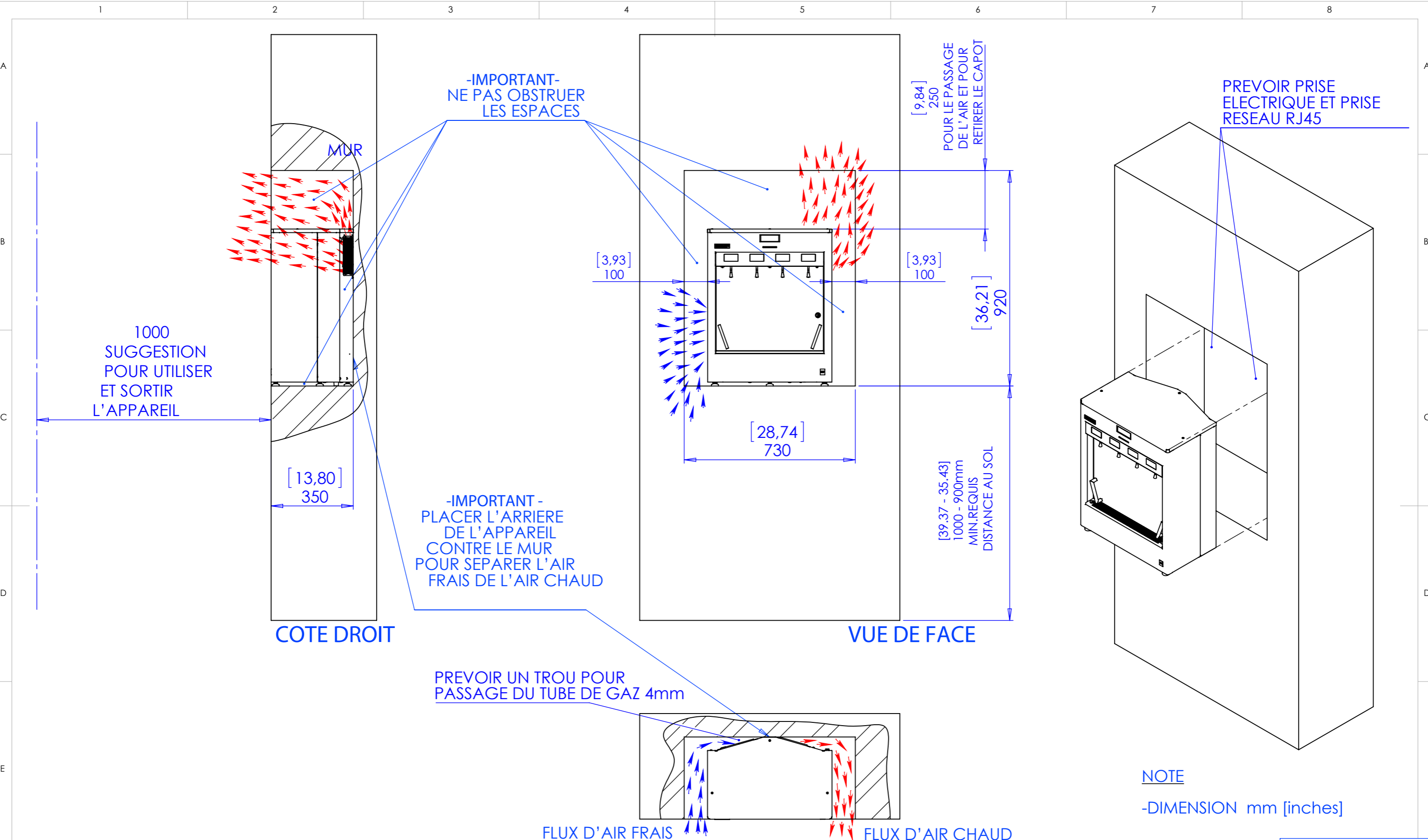
-DIMENSION mm [inches]

PROPRIETARY AND CONFIDENTIAL
THE INFORMATION CONTAINED IN THIS DRAWING IS THE SOLE PROPERTY OF ENOMATIC. ANY REPRODUCTION IN PART OR AS A WHOLE WITHOUT THE WRITTEN PERMISSION OF ENOMATIC IS PROHIBITED.

REV.	DESCRIPTION	DATE	EXECUTOR	CHK'D	APPV'D
CODE:	MATERIAL:			WEIGHT Kg:	
147H.....	/			/	



TITLE:	Enoline Elite 2.5 2+2/r	
DWG NO.	EC245-YM000	A3
QUOTE SENZA INDICAZIONI DI TOLLERANZA SECONDO UNI EN 22768 - mH DIMENSIONS WITHOUT TOLERANCE FIGURES, ACCORDING TO UNI EN 22768 - mH STANDARD		
SCALE:1:10	LANGUAGE: ENGLISH	FINISH: THICKNESS: SHEET 3 OF 6



1 -EXEMPLE D'INSTALLATION- DANS UNE NICHE (DIMENSION IN mm [inches] ,REQUIS POUR DES PERFORMANCES OPTIMALES)

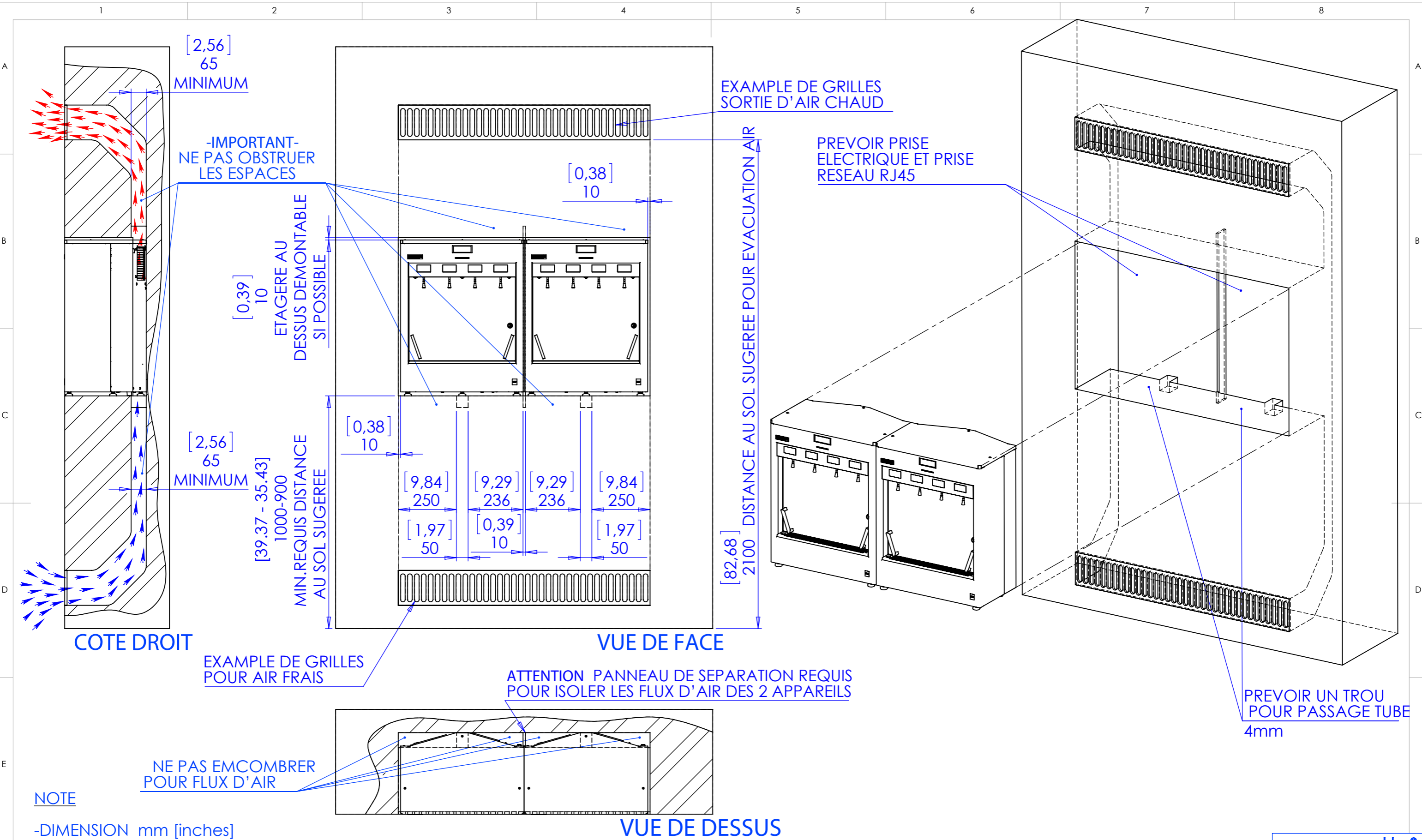
NOTE
-DIMENSION mm [inches]



TITLE:		Enoline Elite 2.5 2+2/r	
DWG NO.	EC245-YM000	A3	
QUOTE SENZA INDICAZIONI DI TOLLERANZA SECONDO UNI EN 22768 - mH DIMENSIONS WITHOUT TOLERANCE FIGURES, ACCORDING TO UNI EN 22768 - mH STANDARD			
SCALE:1:15	LANGUAGE: ENGLISH	FINISH:	THICKNESS:

PROPRIETARY AND CONFIDENTIAL
THE INFORMATION CONTAINED IN THIS DRAWING IS THE SOLE PROPERTY OF ENOMATIC. ANY REPRODUCTION IN PART OR AS A WHOLE WITHOUT THE WRITTEN PERMISSION OF ENOMATIC IS PROHIBITED.

REV.	DESCRIPTION	DATE	EXECUTOR	CHK'D	APPV'D
CODE:	MATERIAL:				WEIGHT Kg:
147H.....	/				/



[2,56]
65
MINIMUM

-IMPORTANT-
NE PAS OBSTRUER
LES ESPACES

[0,39]
10
ETAGERE AU
DESSUS DEMONTABLE
SI POSSIBLE

[2,56]
65
MINIMUM

[39.37 - 35.43]
1000-900
MIN.REQUIS DISTANCE
AU SOL SUGEREE

[0,38]
10

[9,84] 250 [9,29] 236 [9,29] 236 [9,84] 250
[1,97] 50 [0,39] 10 [1,97] 50

EXEMPLE DE GRILLES
SORTIE D'AIR CHAUD

PREVOIR PRISE
ELECTRIQUE ET PRISE
RESEAU RJ45

[82,68]
2100
DISTANCE AU SOL SUGEREE POUR EVACUATION AIR

PREVOIR UN TROU
POUR PASSAGE TUBE
4mm

EXEMPLE DE GRILLES
POUR AIR FRAIS

ATTENTION PANNEAU DE SEPARATION REQUIS
POUR ISOLER LES FLUX D'AIR DES 2 APPAREILS

NE PAS EMCOMBRER
POUR FLUX D'AIR

NOTE

-DIMENSION mm [inches]

2 -EXEMPLE D'INSTALLATION ENCASTRE
(DIMENSION EN mm [inches],REQUIS POUR
DES PERFORMANCES OPTIMALES)

VUE DE DESSUS

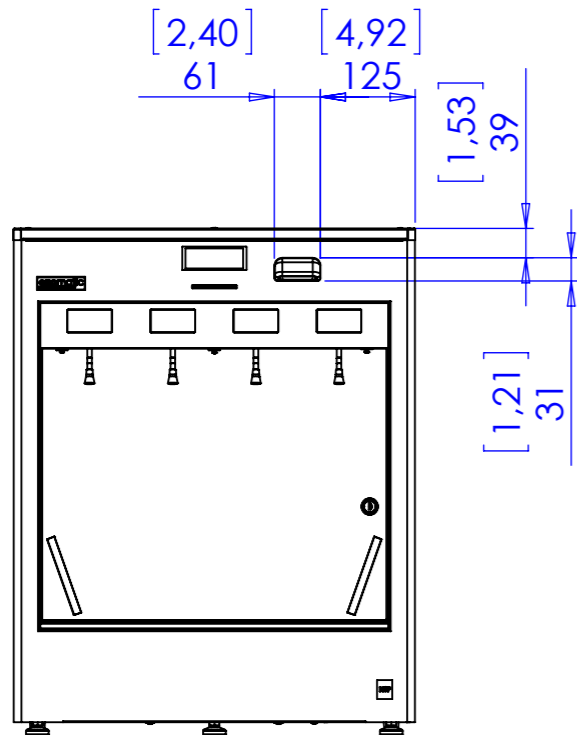


TITLE:		Enoline Elite 2.5 2+2/r	
DWG NO.	EC245-YM000	A3	
QUOTE SENZA INDICAZIONI DI TOLLERANZA SECONDO UNI EN 22768 - mH DIMENSIONS WITHOUT TOLERANCE FIGURES, ACCORDING TO UNI EN 22768 - mH STANDARD			
SCALE:1:15	LANGUAGE: ENGLISH	FINISH:	THICKNESS:
SHEET 5 OF 6			

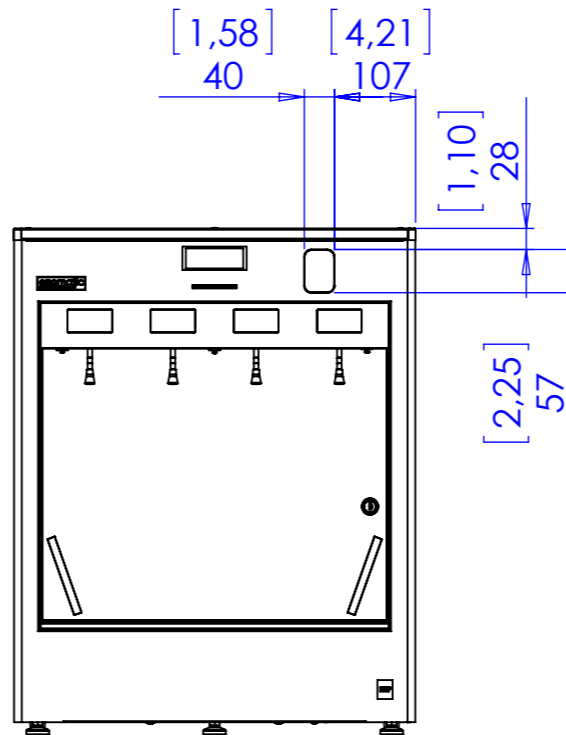
PROPRIETARY AND CONFIDENTIAL
THE INFORMATION CONTAINED IN THIS
DRAWING IS THE SOLE PROPERTY OF
ENOMATIC. ANY REPRODUCTION IN
PART OR AS A WHOLE WITHOUT THE
WRITTEN PERMISSION OF ENOMATIC
IS PROHIBITED.

REV.	DESCRIPTION	DATE	EXECUTOR	CHK'D	APPV'D
CODE:	MATERIAL:				WEIGHT Kg:
147H.....	/	/			/

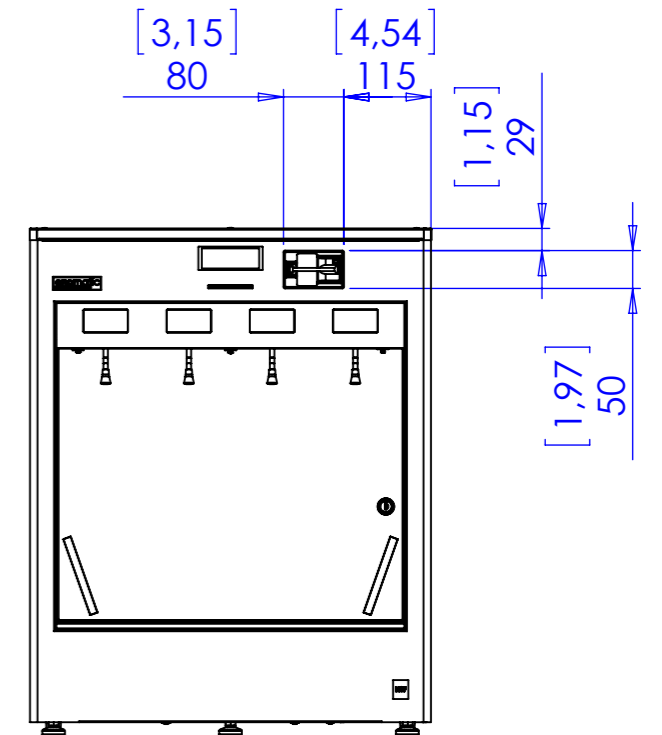
ENOLINE ELITE 2.5 2+2/r CONFIGURATIONS SPECIALES



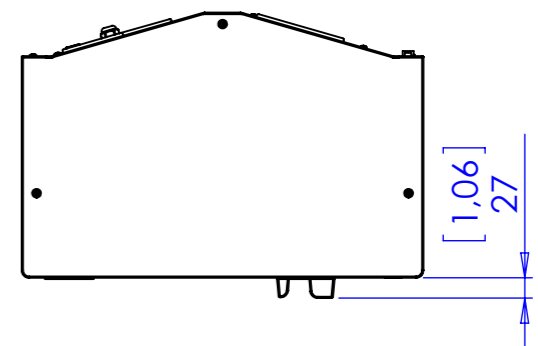
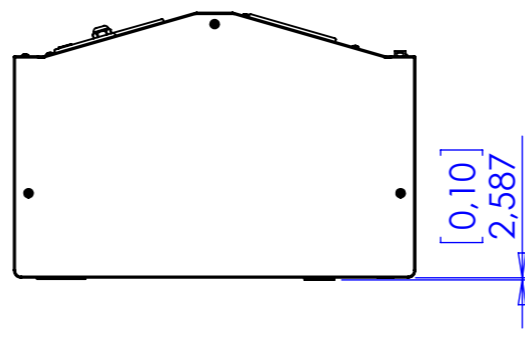
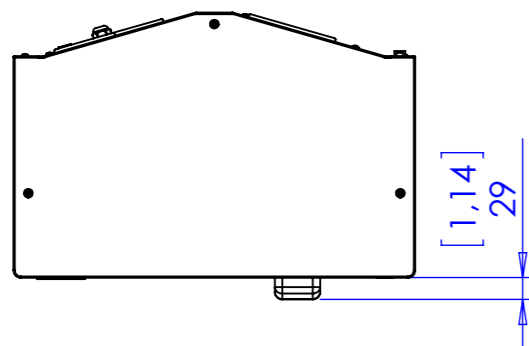
LECTEUR DE CODE BAR



LECTEUR D'EMPREINTE DIGITALE



LECTEUR DE CARTES MAGNETIQUES



NOTE

-DIMENSION mm [inches]

PROPRIETARY AND CONFIDENTIAL
THE INFORMATION CONTAINED IN THIS
DRAWING IS THE SOLE PROPERTY OF
ENOMATIC. ANY REPRODUCTION IN
PART OR AS A WHOLE WITHOUT THE
WRITTEN PERMISSION OF ENOMATIC
IS PROHIBITED.

REV.	DESCRIPTION	DATE	EXECUTOR	CHK'D	APP'VD
CODE:	MATERIAL:				WEIGHT Kg:
147H.....	/				/



TITLE:	Enoline Elite 2.5 2+2/r	
DWG NO.	EC245-YM000	A3
QUOTE SENZA INDICAZIONI DI TOLLERANZA SECONDO UNI EN 22768 - mH DIMENSIONS WITHOUT TOLERANCE FIGURES, ACCORDING TO UNI EN 22768 - mH STANDARD		
SCALE:1:10	LANGUAGE: ENGLISH	FINISH: THICKNESS:
		SHEET 6 OF 6