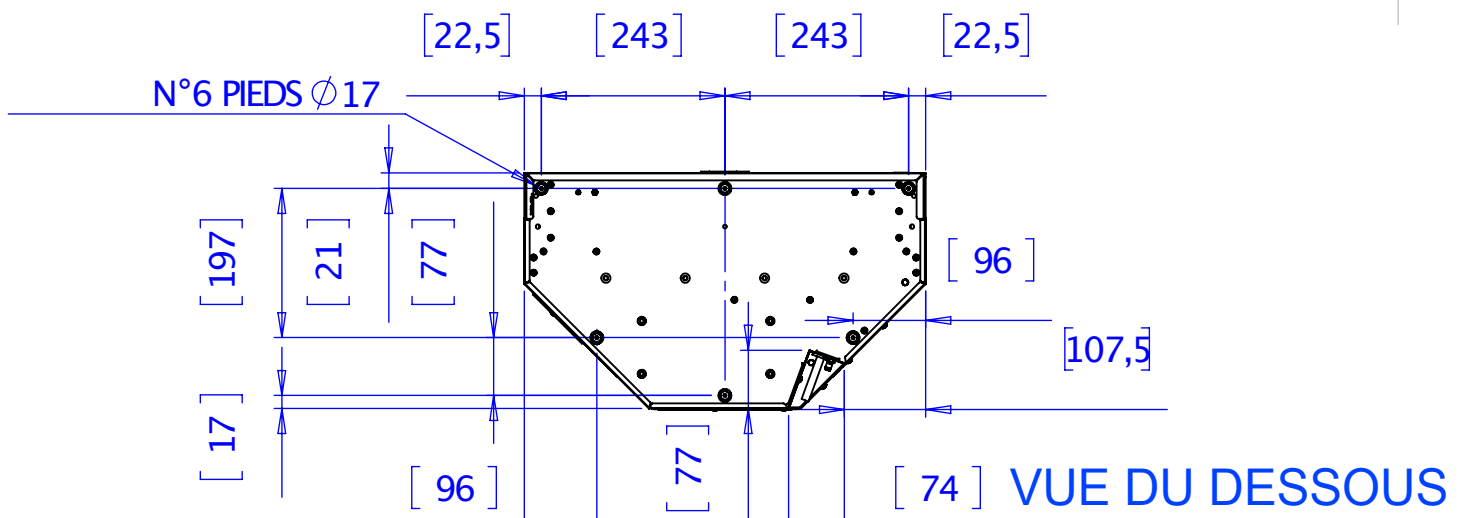


**enomatic®**  
wine serving systems

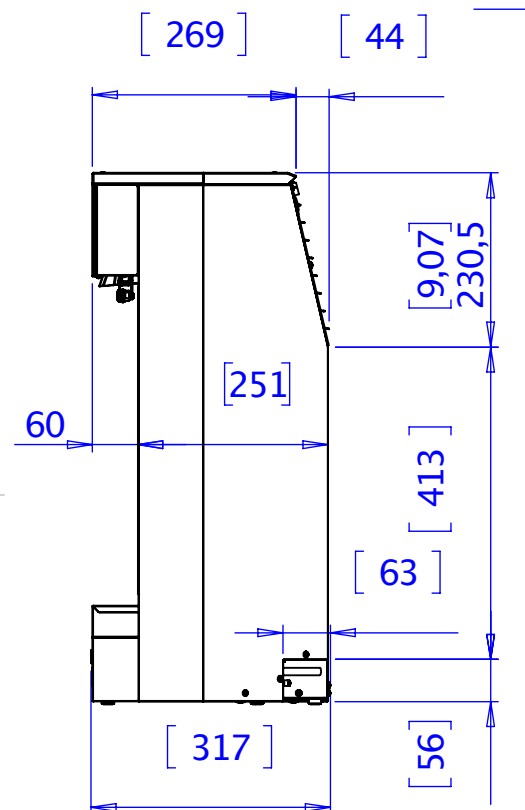
TITLE		<b>UNICA -4 BOTT.</b>	
DWG NO.	<b>ELC340-YM000</b>		A3
<small>QUOTE SENZA INDICAZIONI DI TOLLERANZA SECONDO UNI EN 22768-mH          DIMENSIONS WITHOUT TOLERANCE FIGURES, ACCORDING TO UNI EN 22768-mH STANDARD</small>			
SCALE: 1:5	LANGUAGE: ENGLISH	FINISH:	THICKNESS:
		SHEET 1 OF 7	

**PROPRIETARY AND CONFIDENTIAL**  
 THE INFORMATION CONTAINED IN THIS  
 DRAWING IS THE SOLE PROPERTY OF  
 ENOMATIC. ANY REPRODUCTION IN  
 PART OR AS A WHOLE WITHOUT THE  
 WRITTEN PERMISSION OF ENOMATIC  
 IS PROHIBITED.

0	EMISSIONE	21/10/2020	PANICHI		
REV.	DESCRIPTION	DATE	EXECUTOR	CHK'D	APPV'D
CODE:	MATERIAL:		WEIGHTKg:		
/	/		/		

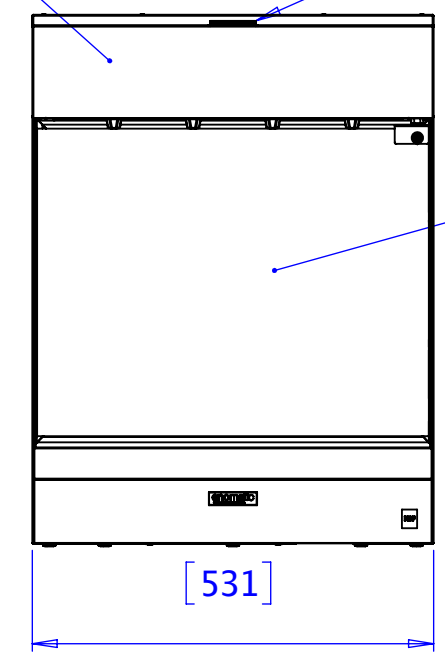


VUE DU DESSOUS



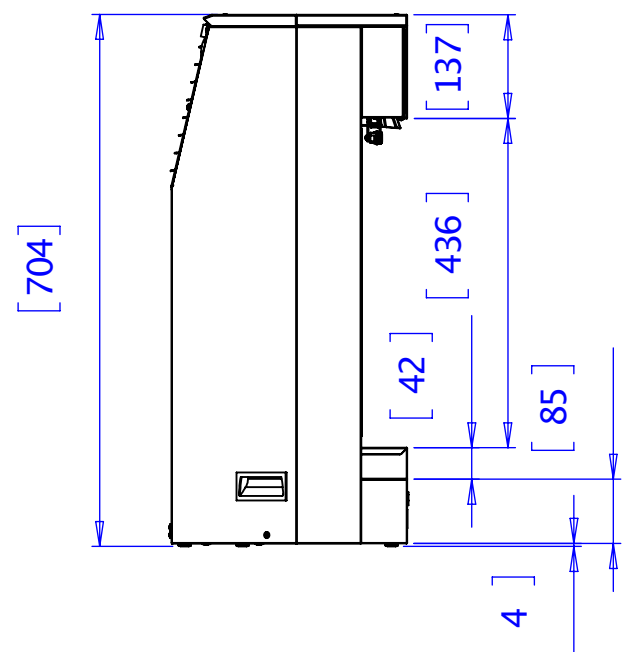
COTE DROIT

ECRANS 7" TACTILES POUR DEGUSTATION LECTEUR CARTE

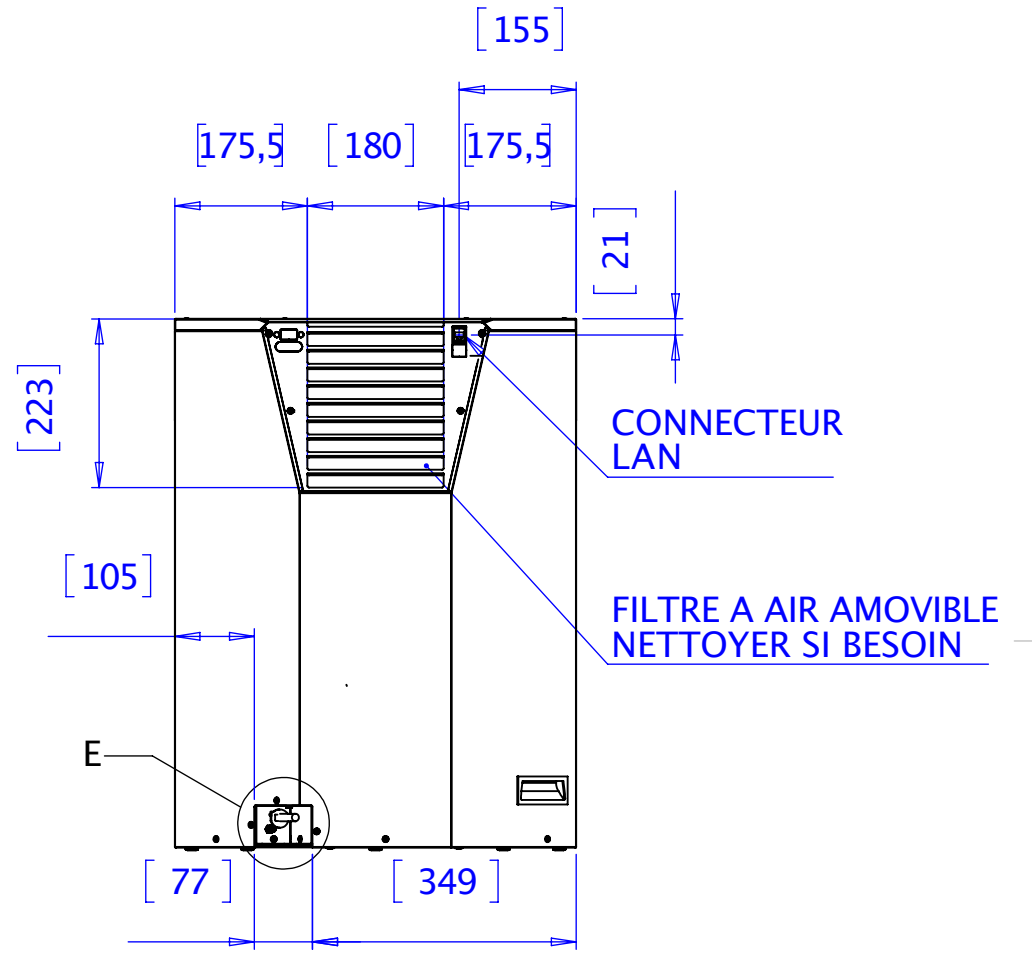


VUE DE FACE

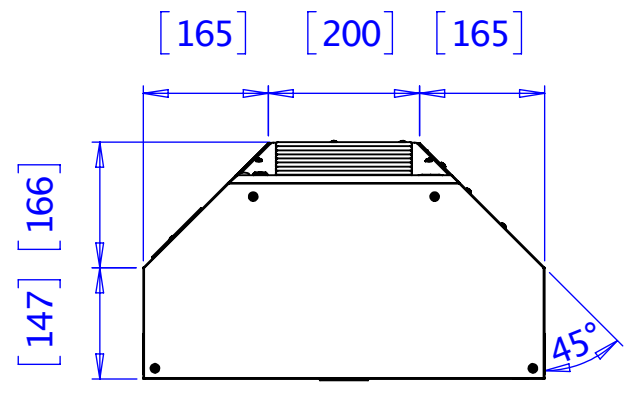
PORTE VITREE



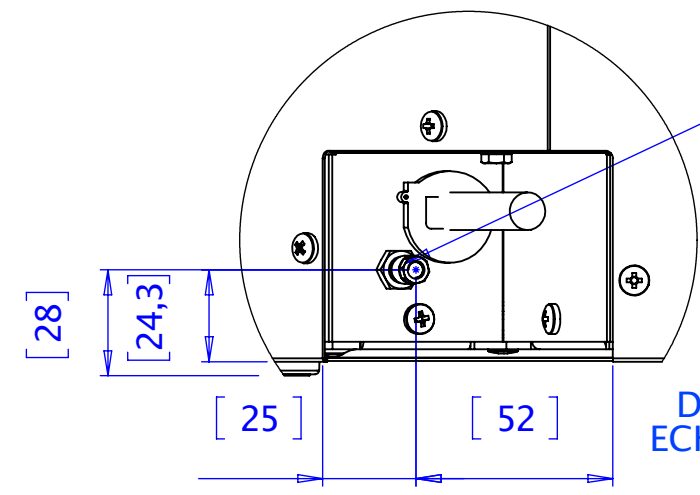
COTE GAUCHE



VUE DE DERRIERE



VUE DE DESSUS



CONNECTEUR TUBE Ø4mm D.E. ( Ø 2.5 D.I.)  
GAZ AZOTE OU ARGON (N2 O Ar)  
MPa 0.4÷0.6(4÷6Bar)

DETAIL E ECHELLE 1:2

NOTE  
-TOUTES LES MESURES SONT EN [mm]

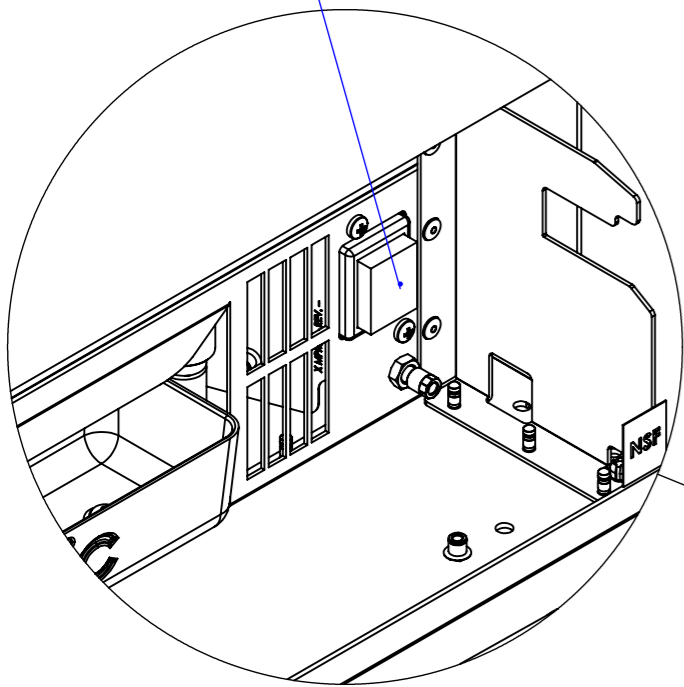


TITLE		UNICA -4 BOTT.	
DWG NO.	ELC340-YM000	A3	
QUOTE SENZA INDICAZIONI DI TOLLERANZA SECONDO UNI EN 22768-mH DIMENSIONS WITHOUT TOLERANCE FIGURES, ACCORDING TO UNI EN 22768-mH STANDARD			
SCALE: 1:10	LANGUAGE: ENGLISH	FINISH:	THICKNESS:
SHEET 2 OF 7			

PROPRIETARY AND CONFIDENTIAL  
THE INFORMATION CONTAINED IN THIS  
DRAWING IS THE SOLE PROPERTY OF  
ENOMATIC. ANY REPRODUCTION IN  
PART OR AS A WHOLE WITHOUT THE  
WRITTEN PERMISSION OF ENOMATIC  
IS PROHIBITED.

REV.	DESCRIPTION	DATE	EXECUTOR	CHK'D	APPV'D
CODE:	MATERIAL:				WEIGHT Kg:
/	/	/	/	/	/

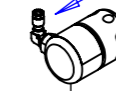
INTERRUPTEUR PRINCIPAL



DETAIL G  
SCALA 2 : 5

ACCESSOIRES PRINCIPAUX EN OPTION

6458  
CODE POUR COMMANDER  
REGULATOR DE PRESSION  
M11x1 pour cartouche avec  
valve de fermeture



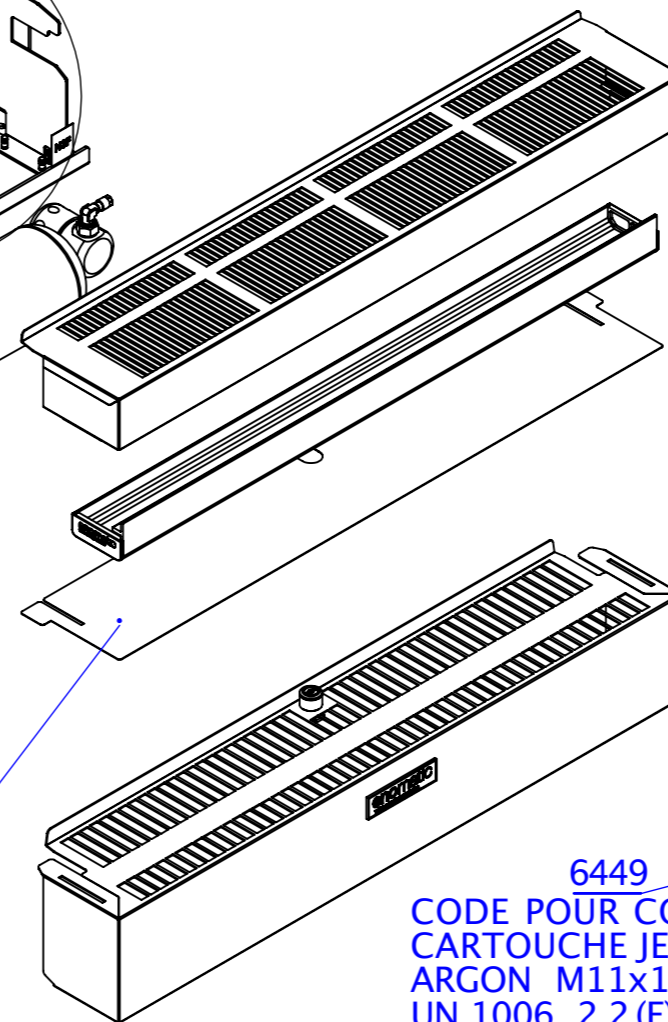
6448  
CODE POUR COMMANDER  
CARTOUCHE JETABLE  
ARGON M11x10,95Lt  
UN 1006, 2.2 (E) NR. 1 PIECE



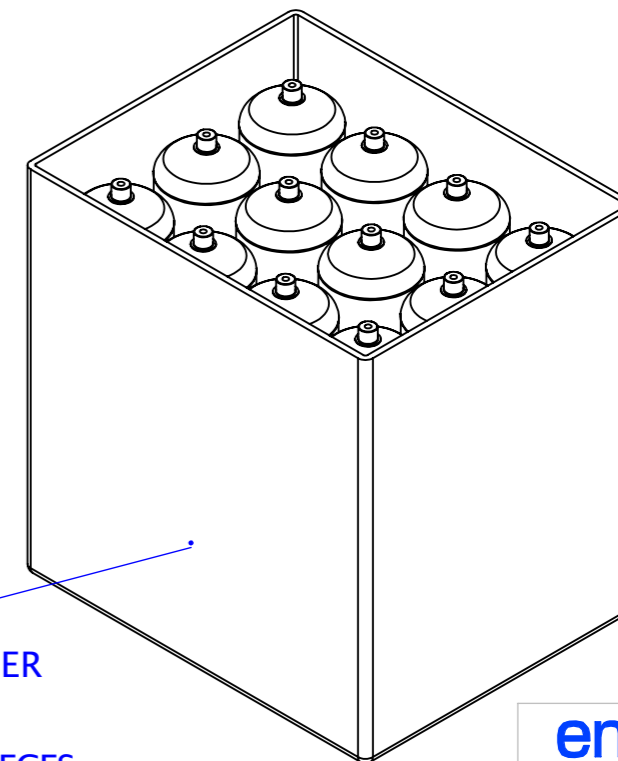
BAC DE CONDENSATION  
AMOVIBLE

ESPACE POUR  
CARTOUCHE DE GAZ

FILTRE A AIR AMOVIBLE  
NETTOYER SI NECESSAIRE



6449  
CODE POUR COMMANDER  
CARTOUCHE JETABLE  
ARGON M11x10,95Lt  
UN 1006, 2.2 (E) NR.12 PIECES



**enomatic**<sup>®</sup>  
wine serving systems

TITLE  
**UNICA -4 BOTT.**

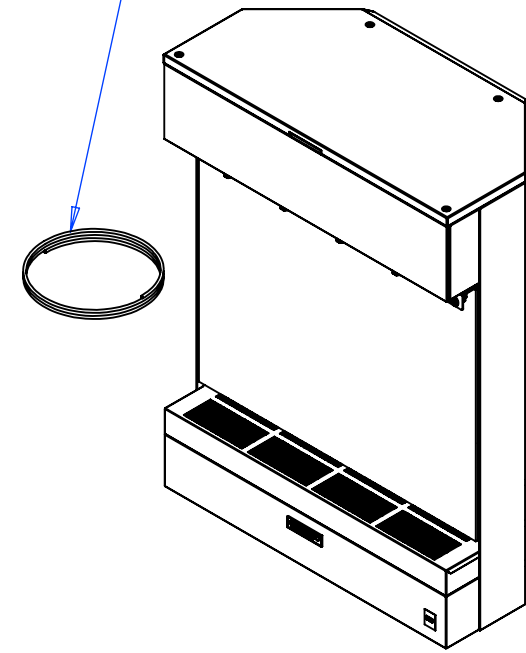
PROPRIETARY AND CONFIDENTIAL  
THE INFORMATION CONTAINED IN THIS  
DRAWING IS THE SOLE PROPERTY OF  
ENOMATIC. ANY REPRODUCTION IN  
PART OR AS A WHOLE WITHOUT THE  
WRITTEN PERMISSION OF ENOMATIC  
IS PROHIBITED.

REV.	DESCRIPTION	DATE	EXECUTOR	CHK'D	APPV'D
CODE:	MATERIAL:				WEIGHTKg:
/		/			/

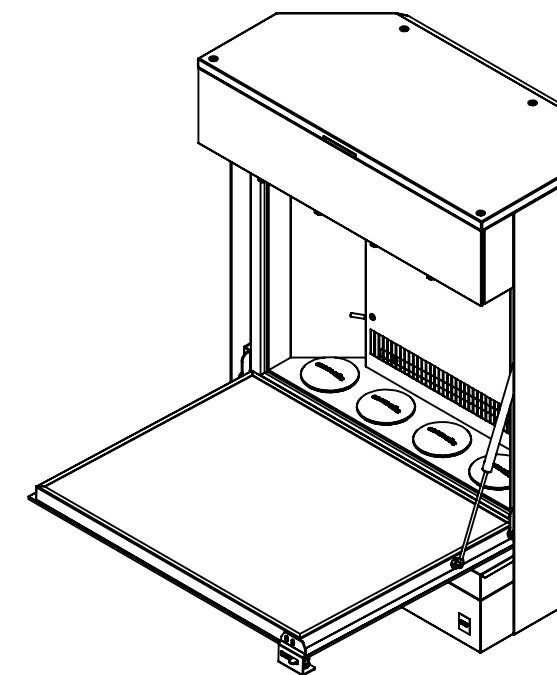
DWG NO.	<b>ELC340-YM000</b>	A3
QUOTE SENZA INDICAZIONI DI TOLLERANZA SECONDO UNI EN 22768-mH DIMENSIONS WITHOUT TOLERANCE FIGURES, ACCORDING TO UNI EN 22768-mH STANDARD		
SCALE: 1:5	LANGUAGE: ENGLISH	FINISH: THICKNESS: SHEET 3 OF 7

UNICA -4 BOUTEILLES						
TAILLE	HAUTEUR (MIN -MAX)	704mm				
	PROFONDEUR	317mm				
	LARGEUR	531mm				
POIDS(Kg)	37 Kg					
MATERIAUX	ACIER INOXYDABLE AISI 304 - VERRE					
SPECIFICATIONS ELECTRIQUES	MODELES DISPONIBLES					
	VOLTAGE (V)	100	115	110-127	200-220	220-240
	FREQUENCE (Hz)	50-60	60	60	50-60	50
	PUISSANCE (W)	80	120	80	100	120
	AMPERAGE (A)	1.2	1.75	1.2	0.4	0.8
SPECIFICATIONS COMPRESSEUR DE FROID	GAZ REFRIGERANT	R-134A				
	CONTROLE DE LA TEMPERATURE	CONTROLEUR ELECTRONIQUE				
	METHODE DE DEGIVRAGE	AUTOMATIQUE VIA UN CONTROLEUR ELECTRONIQUE				
	CONTROLEUR DE TEMPERATURE	DIGITAL				
GAZ POUR PRESSION DE SERVICE (ARGON OR NITROGEN)		MPa 0.4÷0.6(4÷6Bar)				
FORMAT DES BOUTEILLES	HAUTEUR	220÷365mm				
	Ø MAX	105 mm				

3 METRES DE TUBE  
 Ø 4mm D.E.  
 (Ø 2.5 D.I.)  
 INCLUS



PAILLES AVEC FILTRE  
 (N°1 EMBALLAGE DE 5 PIECES)  
 INCLUS



**NOTE**

-TOUTES LES MESURES SONT EN mm

PROPRIETARY AND CONFIDENTIAL  
 THE INFORMATION CONTAINED IN THIS  
 DRAWING IS THE SOLE PROPERTY OF  
 ENOMATIC. ANY REPRODUCTION IN  
 PART OR AS A WHOLE WITHOUT THE  
 WRITTEN PERMISSION OF ENOMATIC  
 IS PROHIBITED.

REV.	DESCRIPTION	DATE	EXECUTOR	CHK'D	APPV'D
CODE:	MATERIAL:				WEIGHTKg:
/	/	/	/	/	/



TITLE: **UNICA -4 BOTT.**

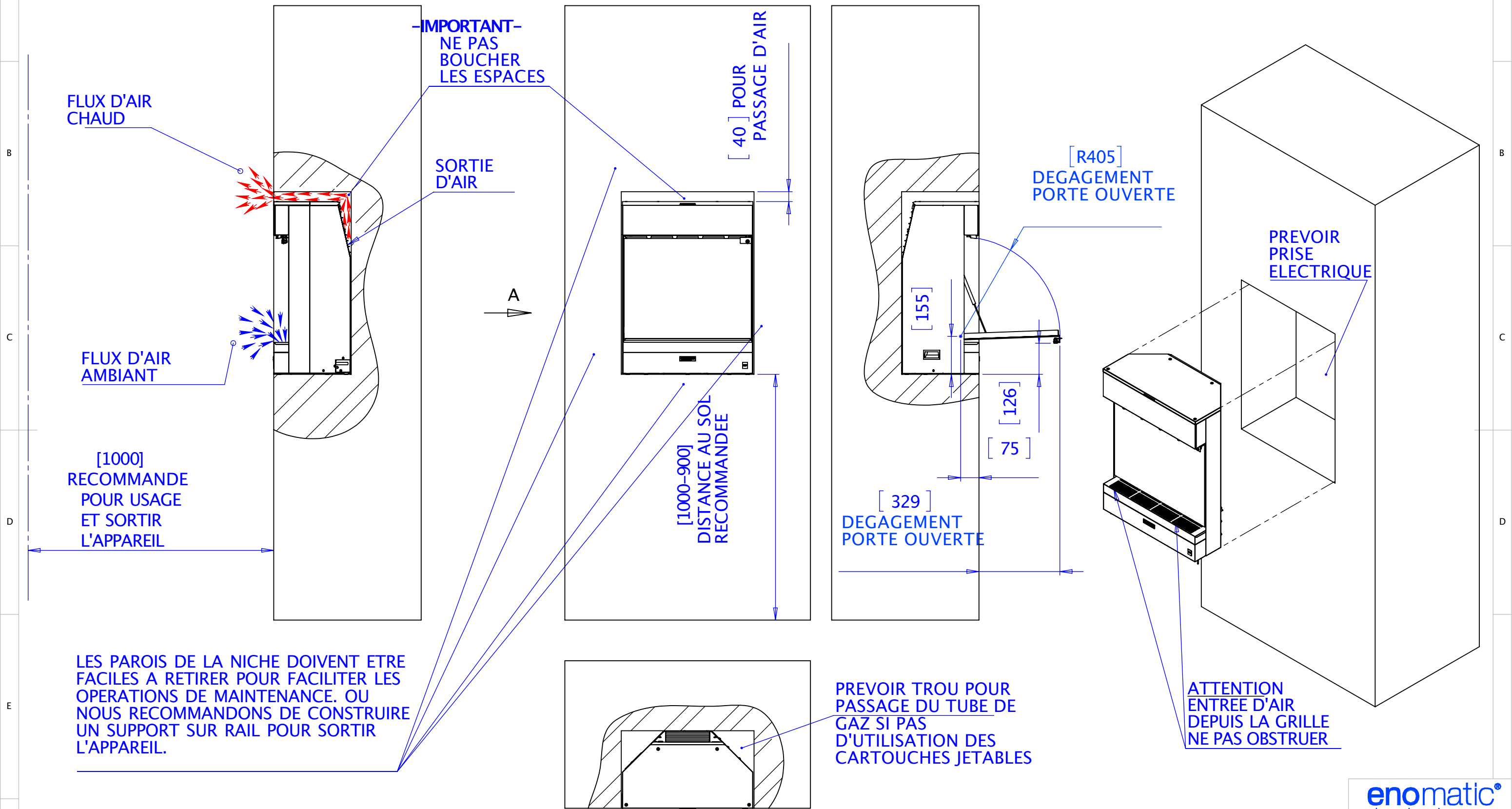
DWG NO. **ELC340-YM000** A3

QUOTE SENZA INDICAZIONI DI TOLLERANZA SECONDO UNI EN 22768-mH  
 DIMENSIONS WITHOUT TOLERANCE FIGURES, ACCORDING TO UNI EN 22768-mH STANDARD

SCALE: 1:10 LANGUAGE: ENGLISH FINISH: THICKNESS: SHEET 4 OF 7

# 1 - EXEMPLE D'INSTALLATION - DANS UNE NICHE

(DIMENSIONS EN mm DES ESPACES MINIMUM REQUIS POUR DES PERFORMANCES OPTIMALES)



LES PAROIS DE LA NICHE DOIVENT ETRE FACILES A RETIRER POUR FACILITER LES OPERATIONS DE MAINTENANCE. OU NOUS RECOMMANDONS DE CONSTRUIRE UN SUPPORT SUR RAIL POUR SORTIR L'APPAREIL.

**NOTE**  
 -ATTENTION: NE PAS INSTALLER LES APPAREILS PRES D'UNE SOURCE DE CHALEUR OU D'HUMIDITE  
 -TOUTES LES MESURES SONT EN [mm]

PROPRIETARY AND CONFIDENTIAL  
 THE INFORMATION CONTAINED IN THIS DRAWING IS THE SOLE PROPERTY OF ENOMATIC. ANY REPRODUCTION IN PART OR AS A WHOLE WITHOUT THE WRITTEN PERMISSION OF ENOMATIC IS PROHIBITED.

REV.	DESCRIPTION	DATE	EXECUTOR	CHK'D	APPV'D
CODE:	MATERIAL:				WEIGHTKg:
/	/	/	/	/	/

**enomatic®**  
wine serving systems

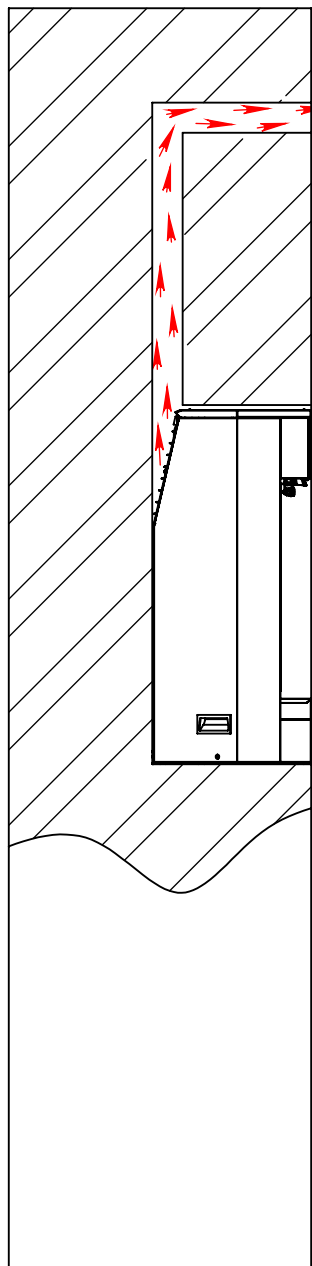
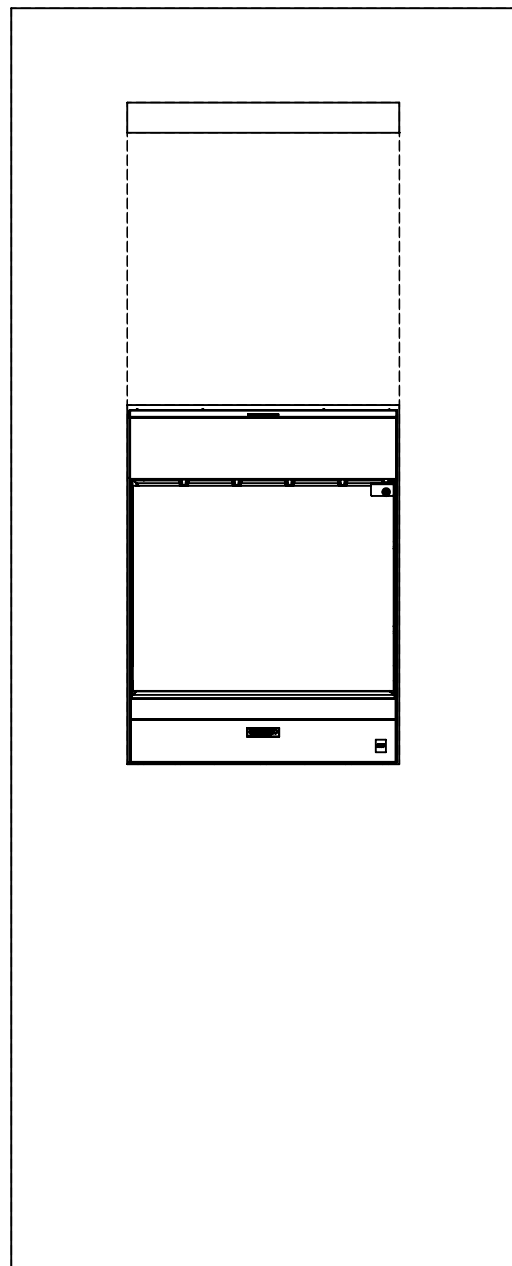
TITLE: **UNICA -4 BOTT.**

DWG NO. **ELC340-YM000**

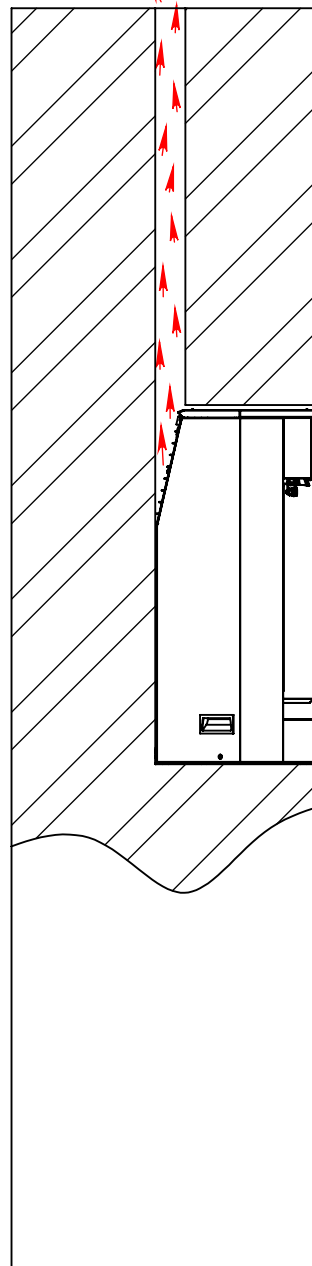
SCALE: 1:15 LANGUAGE: ENGLISH FINISH: THICKNESS:

A3 SHEETS OF 7

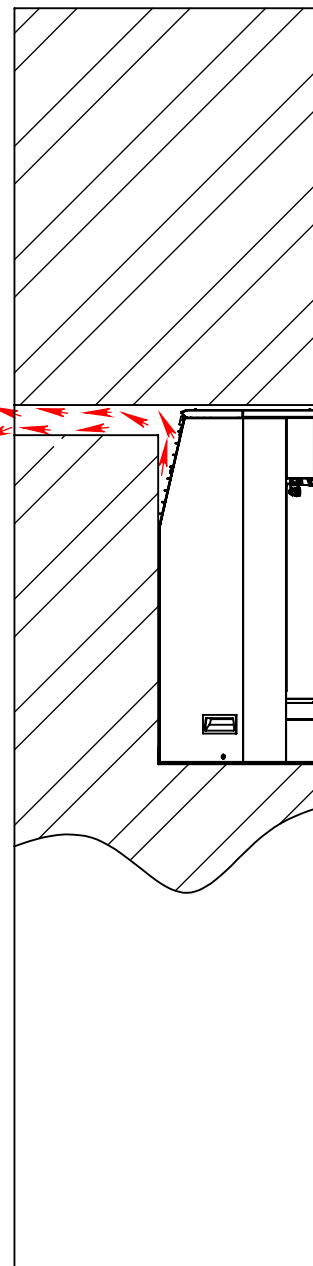
**2 -4 EXEMPLES D'INSTALLATION - ENCASTRE -  
PASSAGE D'AIR POUR CHAQUE APPAREIL PLUS GRAND QUE 10000mm<sup>2</sup>**



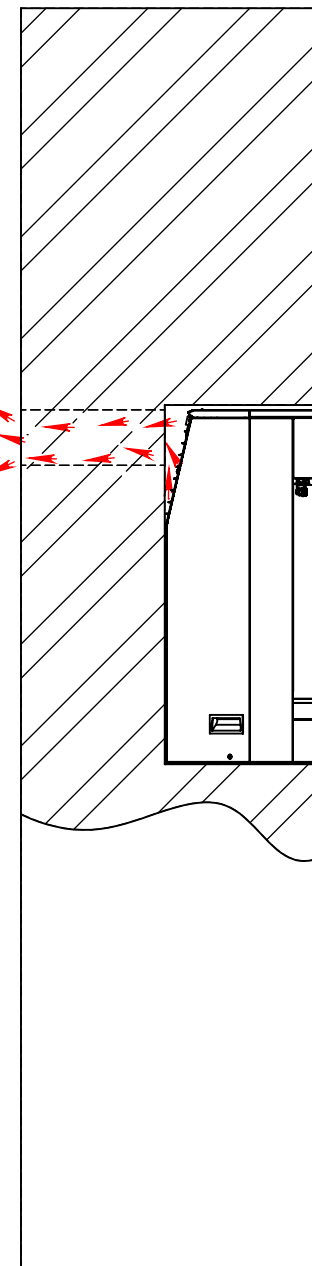
**1**



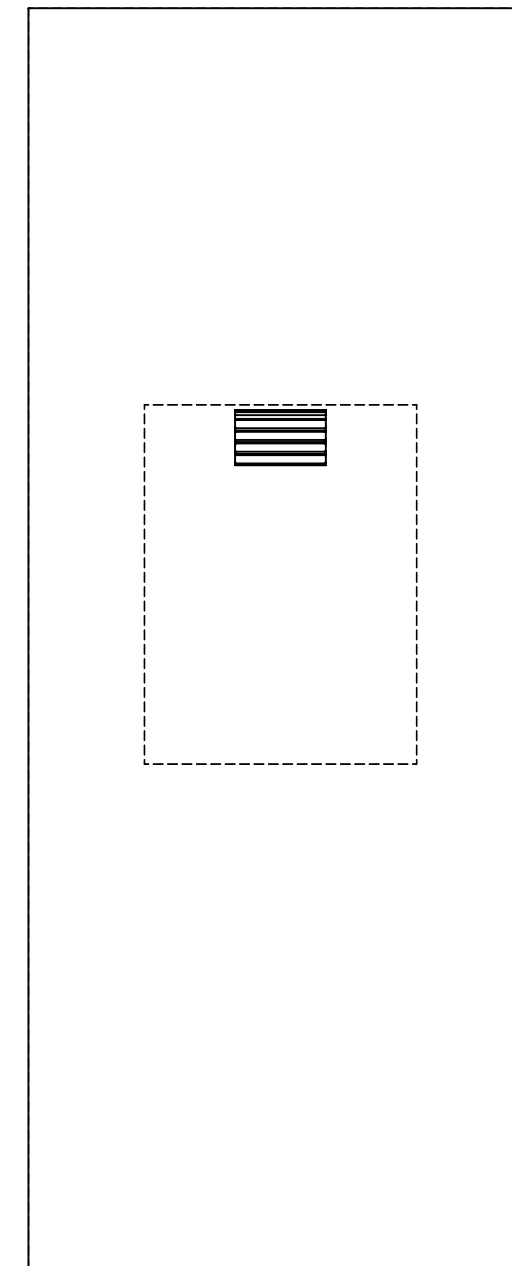
**2**



**3**



**4**



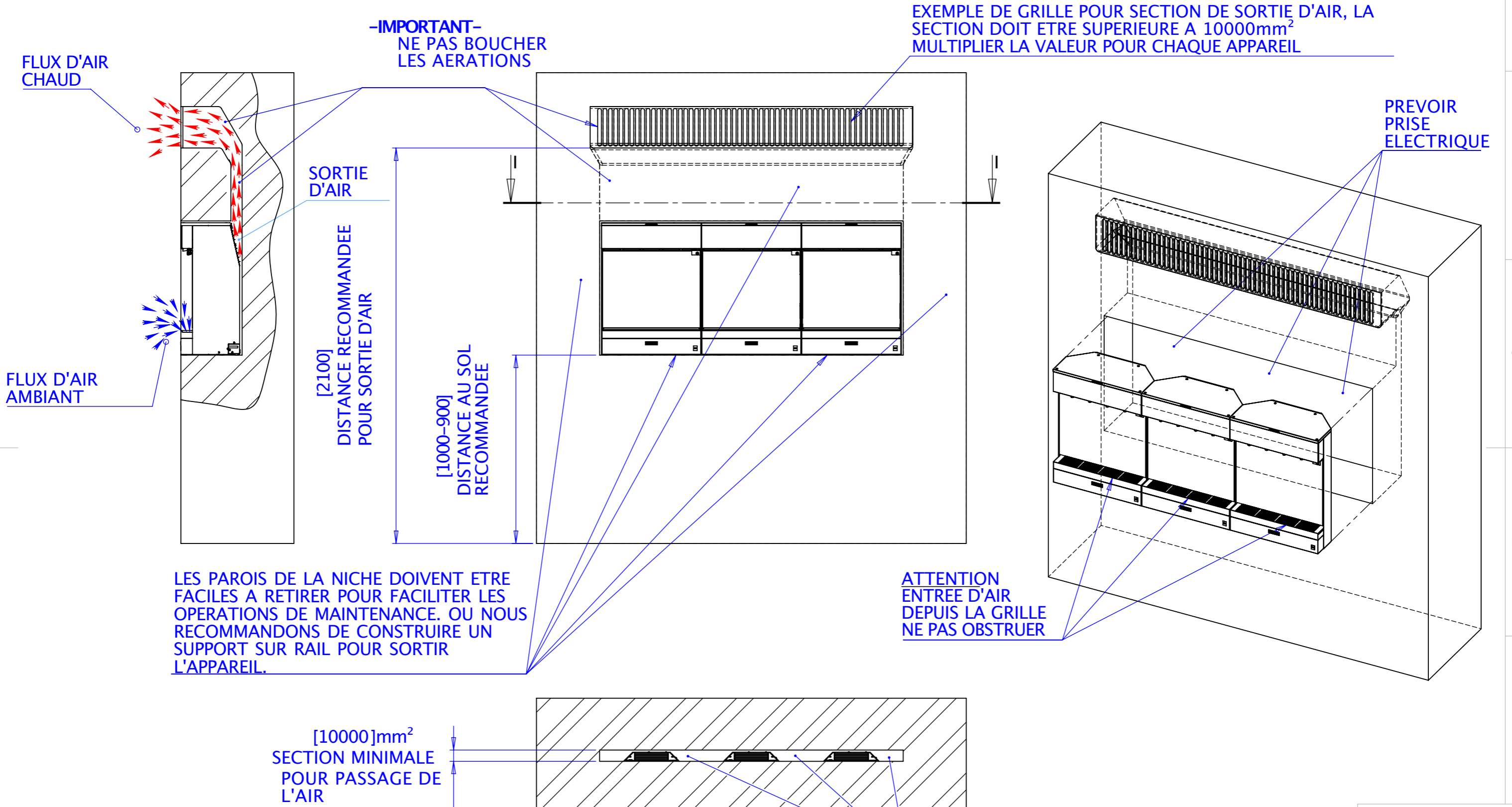
TITLE		<b>UNICA -4 BOTT.</b>	
DWG NO.	<b>ELC340-YM000</b>	A3	
<small>QUOTE SENZA INDICAZIONI DI TOLLERANZA SECONDO UNI EN 22768-mH DIMENSIONS WITHOUT TOLERANCE FIGURES, ACCORDING TO UNI EN 22768-mH STANDARD</small>			
SCALE: 1:15	LANGUAGE: ENGLISH	FINISH:	THICKNESS:
SHEET 6 OF 7		SHEET 6 OF 7	

PROPRIETARY AND CONFIDENTIAL  
THE INFORMATION CONTAINED IN THIS  
DRAWING IS THE SOLE PROPERTY OF  
ENOMATIC. ANY REPRODUCTION IN  
PART OR AS A WHOLE WITHOUT THE  
WRITTEN PERMISSION OF ENOMATIC  
IS PROHIBITED.

REV.	DESCRIPTION	DATE	EXECUTOR	CHK'D	APPV'D
CODE:	MATERIAL:				WEIGHT Kg:
/	/	/	/	/	/



3 - EXEMPLE D'INSTALLATION - ENCASTRE  
 (DIMENSIONS EN mm DES ESPACES MINIMUM REQUIS POUR DES PERFORMANCES OPTIMALES)



NOTE  
 -ATTENTION: NE PAS INSTALLER  
 LES APPAREILS PRES D'UNE SOURCE DE  
 CHALEUR OU D'HUMIDITE  
 -TOUTES LES MESURES SONT EN [mm]

PROPRIETARY AND CONFIDENTIAL  
 THE INFORMATION CONTAINED IN THIS  
 DRAWING IS THE SOLE PROPERTY OF  
 ENOMATIC. ANY REPRODUCTION IN  
 PART OR AS A WHOLE WITHOUT THE  
 WRITTEN PERMISSION OF ENOMATIC  
 IS PROHIBITED.

REV.	DESCRIPTION	DATE	EXECUTOR	CHK'D	APPV'D
CODE:	MATERIAL:				WEIGHTkg:
/	/	/	/	/	/

**enomatic®**  
wine serving systems

TITLE: **UNICA -4 BOTT.**

DWG NO. **ELC340-YM000** A3

QUOTE SENZA INDICAZIONI DI TOLLERANZA SECONDO UNI EN 22768-mH  
 DIMENSIONS WITHOUT TOLERANCE FIGURES, ACCORDING TO UNI EN 22768-mH STANDARD

SCALE: 1:20 LANGUAGE: ENGLISH FINISH: THICKNESS: SHEET 7 OF 7