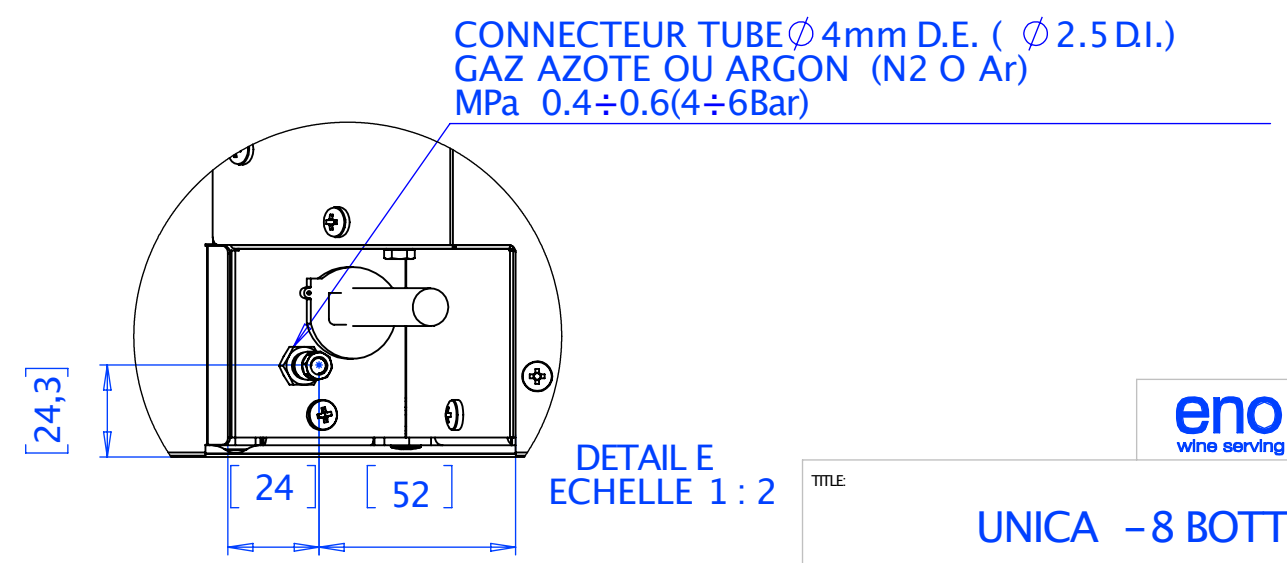
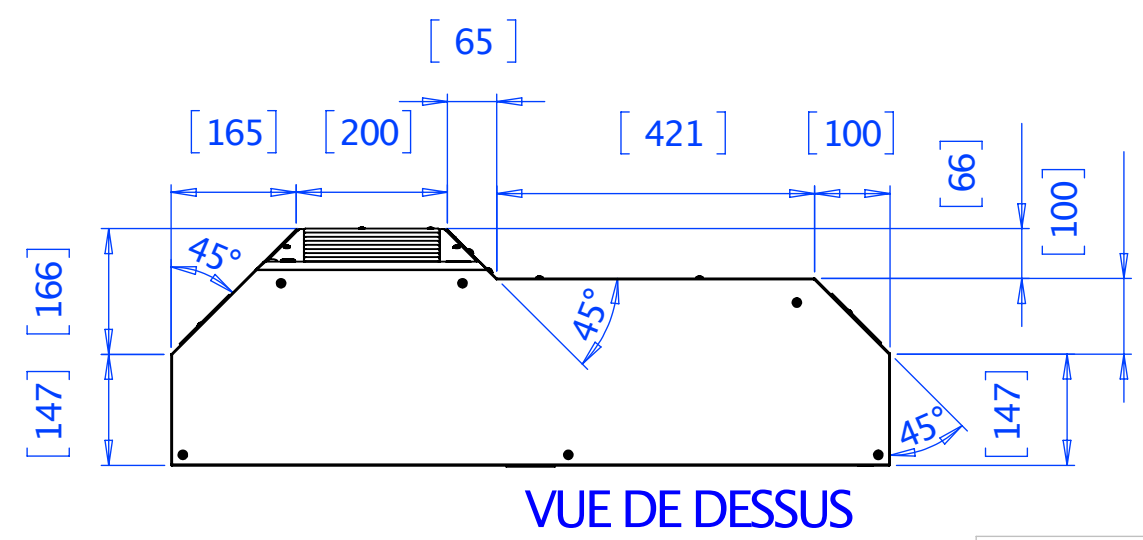
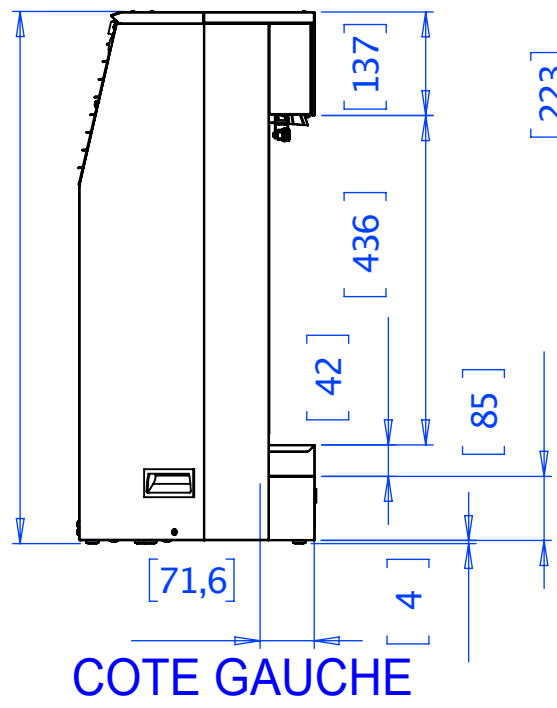
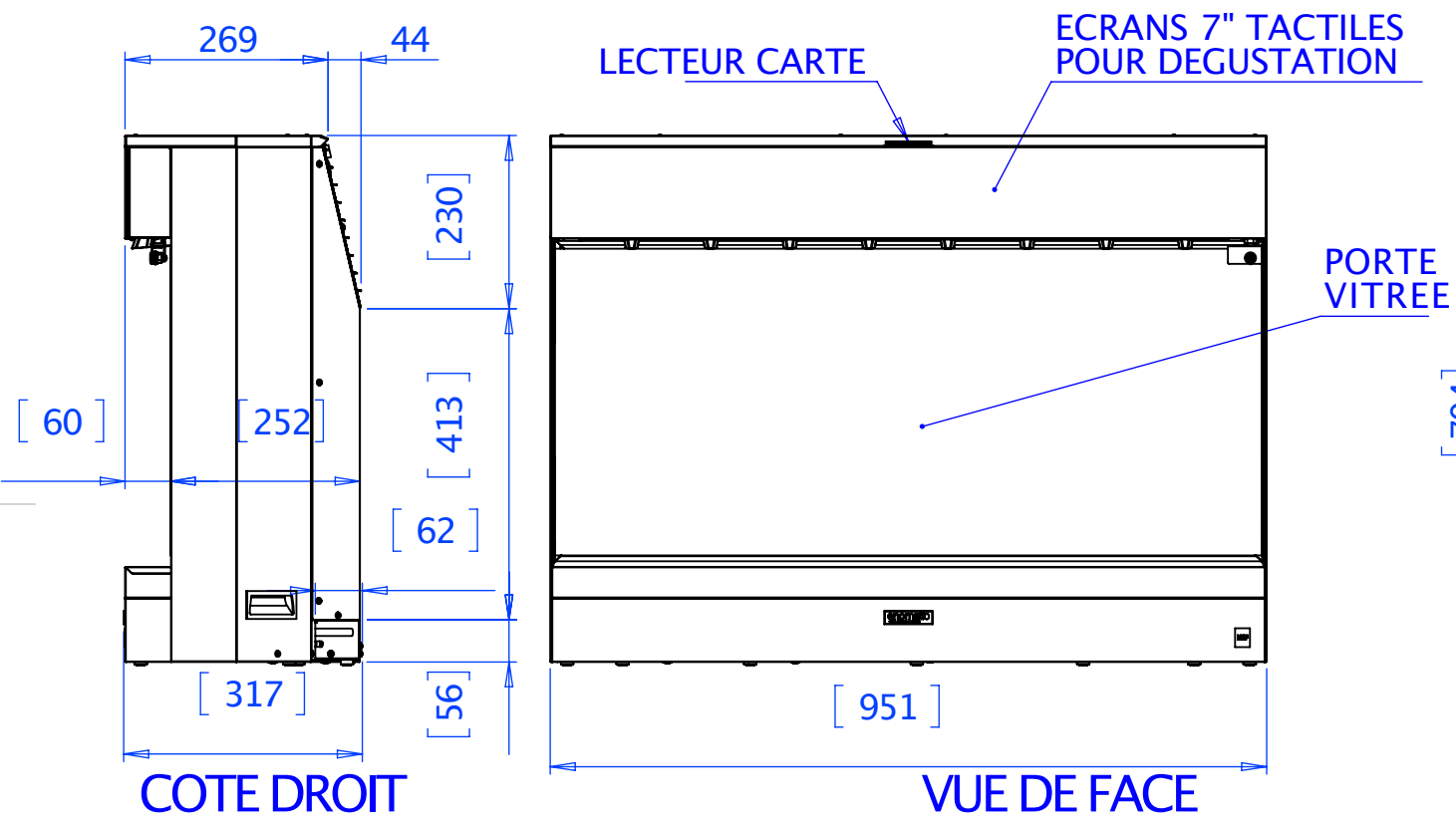
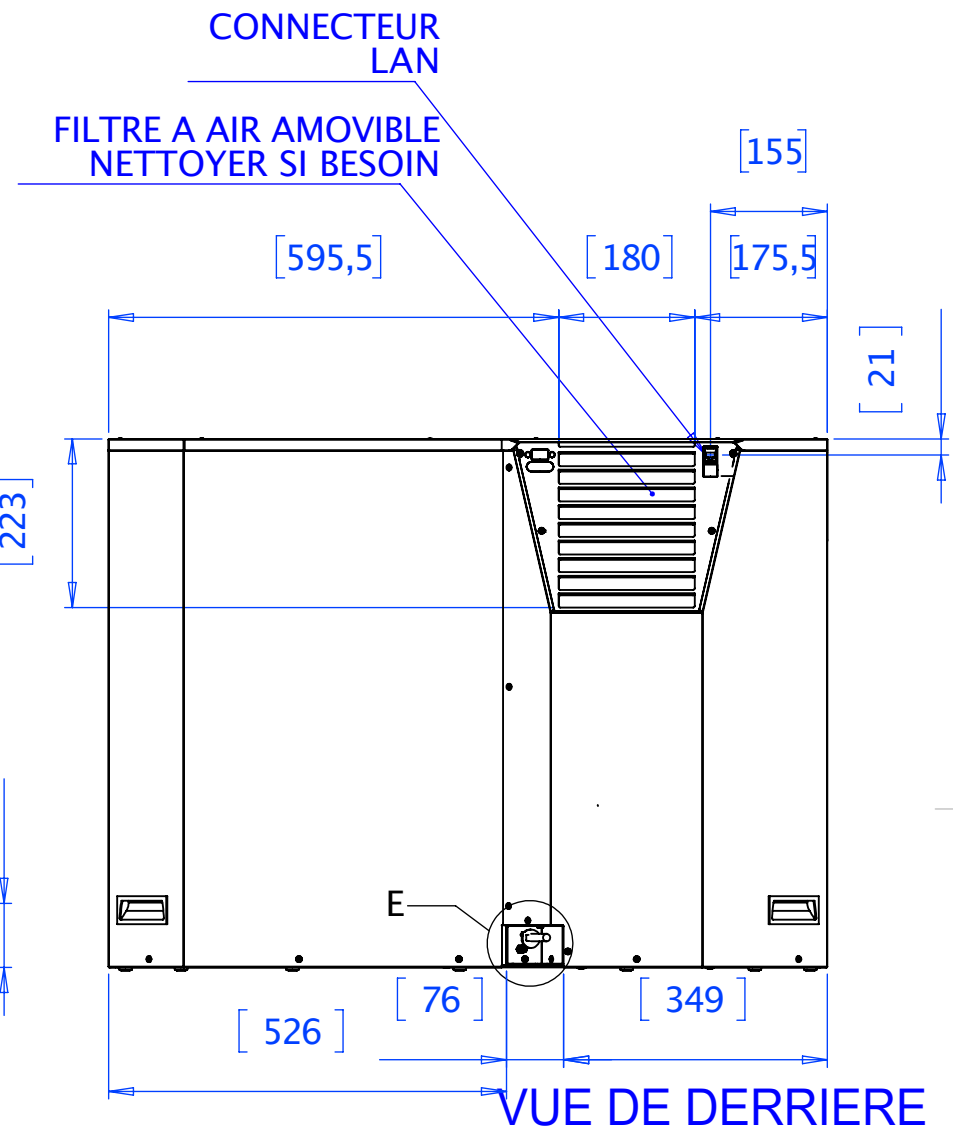
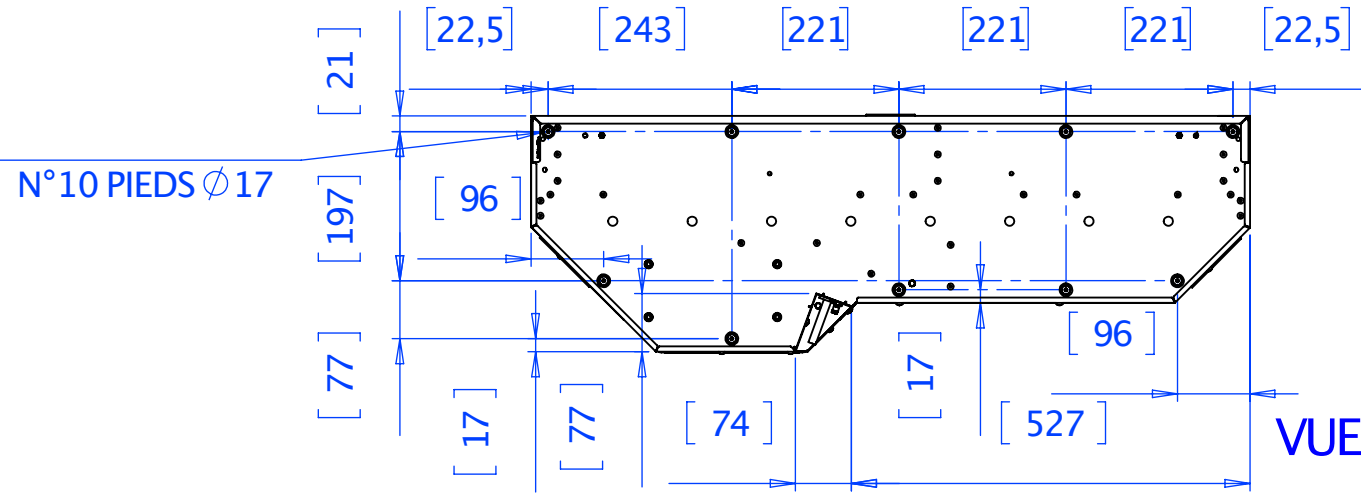


TITLE		<b>UNICA - 8 BOTT.</b>	
DWG NO.	<b>ELC380-YM000</b>		A3
<small>QUOTE SENZA INDICAZIONI DI TOLLERANZA SECONDO UNI EN 22768-mH          DIMENSIONS WITHOUT TOLERANCE FIGURES, ACCORDING TO UNI EN 22768-mH STANDARD</small>			
SCALE: 1:5	LANGUAGE: ENGLISH	FINISH:	THICKNESS:
SHEET 1 OF 7			

PROPRIETARY AND CONFIDENTIAL  
 THE INFORMATION CONTAINED IN THIS  
 DRAWING IS THE SOLE PROPERTY OF  
 ENOMATIC. ANY REPRODUCTION IN  
 PART OR AS A WHOLE WITHOUT THE  
 WRITTEN PERMISSION OF ENOMATIC  
 IS PROHIBITED.

0	EMISSIONE	21/10/2020	PANICHI		
REV.	DESCRIPTION	DATE	EXECUTOR	CHK'D	APPV'D
CODE:	MATERIAL:				WEIGHT Kg:
/	/				/



NOTE  
-TOUTES LES MESURES SONT EN [mm]

PROPRIETARY AND CONFIDENTIAL  
THE INFORMATION CONTAINED IN THIS  
DRAWING IS THE SOLE PROPERTY OF  
ENOMATIC. ANY REPRODUCTION IN  
PART OR AS A WHOLE WITHOUT THE  
WRITTEN PERMISSION OF ENOMATIC  
IS PROHIBITED.

REV.	DESCRIPTION	DATE	EXECUTOR	CHK'D	APPV'D
CODE:	MATERIAL:				WEIGHTKg:
/	/	/	/	/	/

**enomatic®**  
wine serving systems

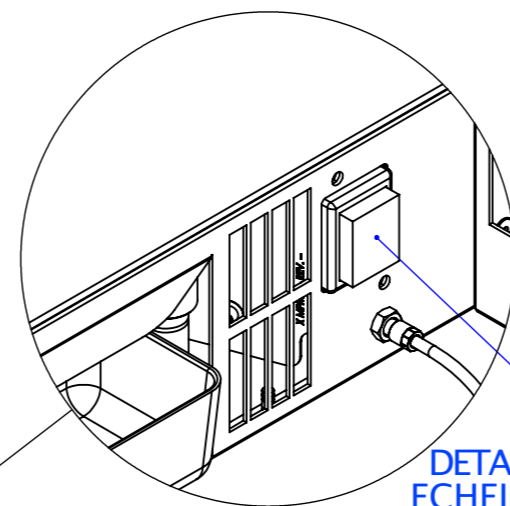
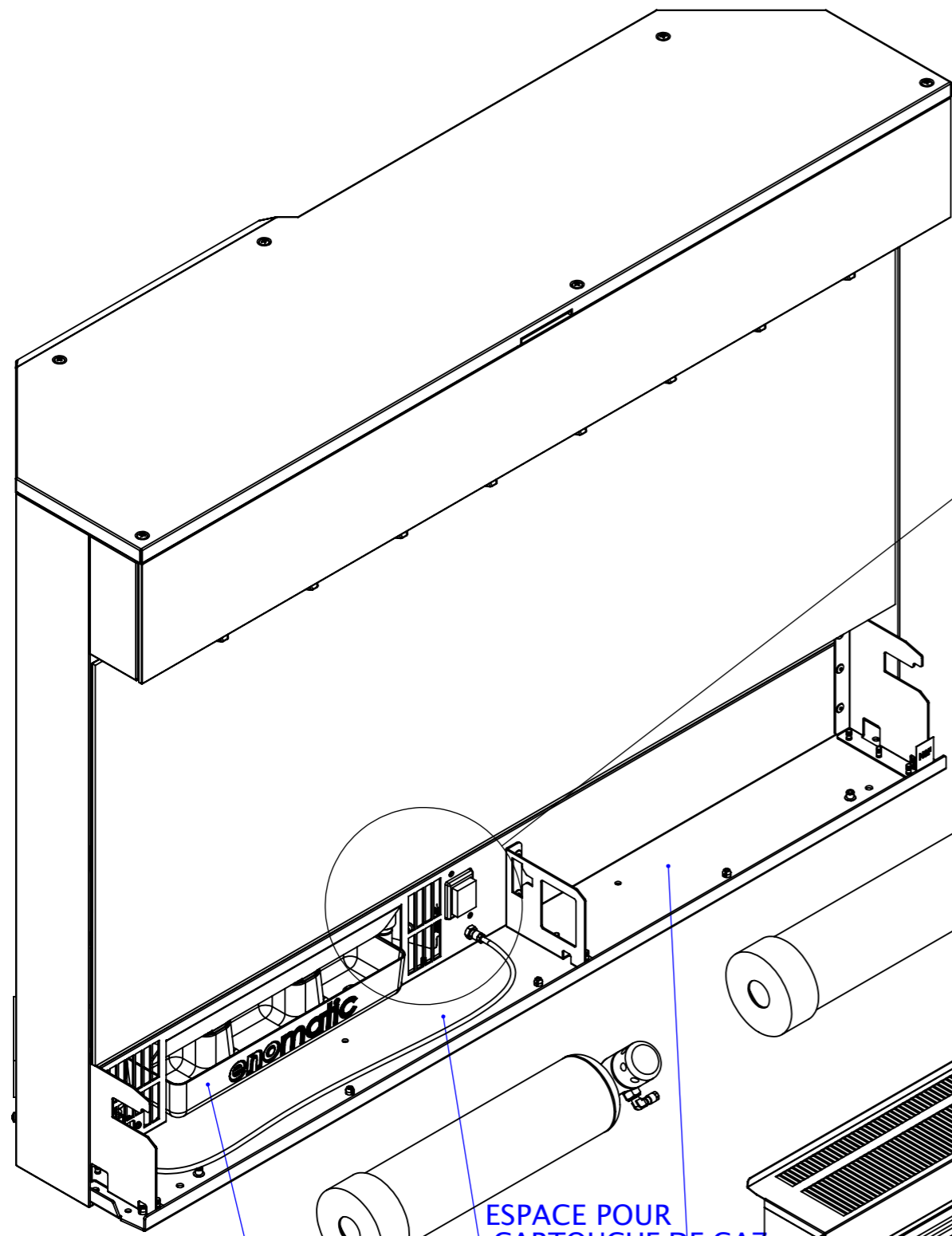
TITLE: **UNICA -8 BOTT.**

DWG NO. **ELC380-YM000**

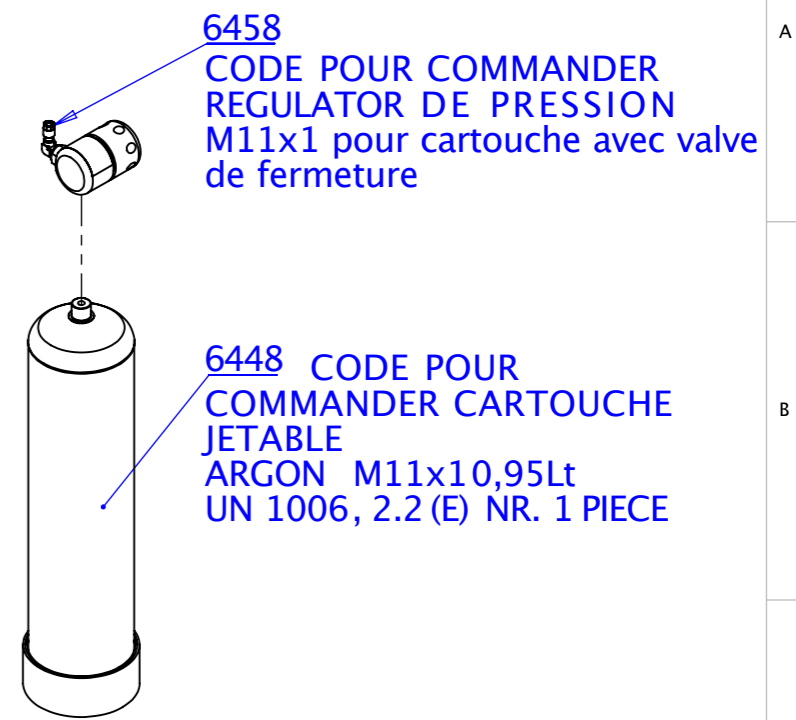
SCALE: 1:10 LANGUAGE: ENGLISH FINISH: THICKNESS:

A3 SHEET 2 OF 7

# ACCESSOIRES PRINCIPAUX EN OPTION



INTERRUPTEUR PRINCIPAL  
DETAIL K  
ECHELLE 2 : 5



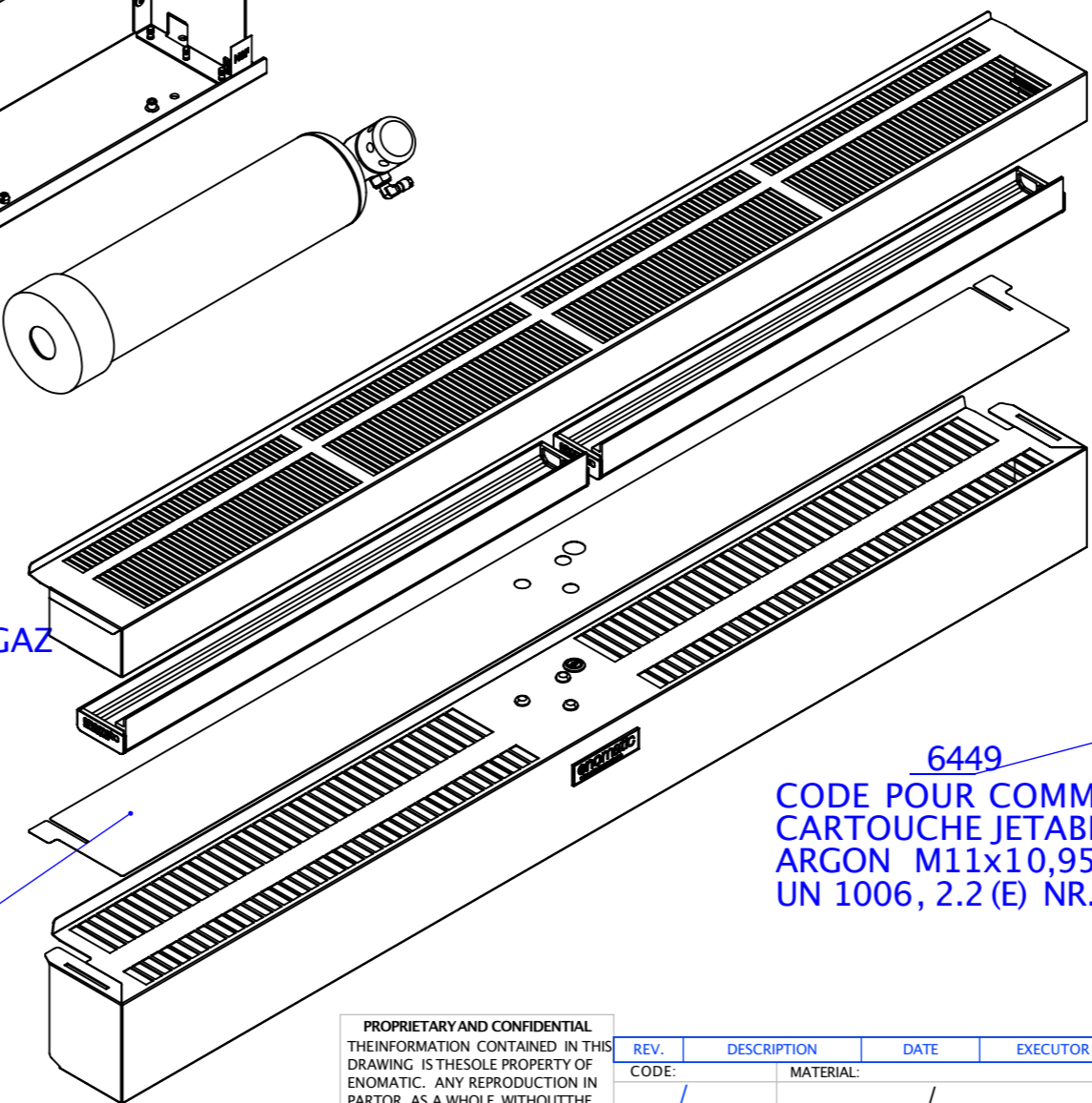
6458 CODE POUR COMMANDER REGULATOR DE PRESSION M11x1 pour cartouche avec valve de fermeture

6448 CODE POUR COMMANDER CARTOUCHE JETABLE ARGON M11x10,95Lt UN 1006, 2.2 (E) NR. 1 PIECE

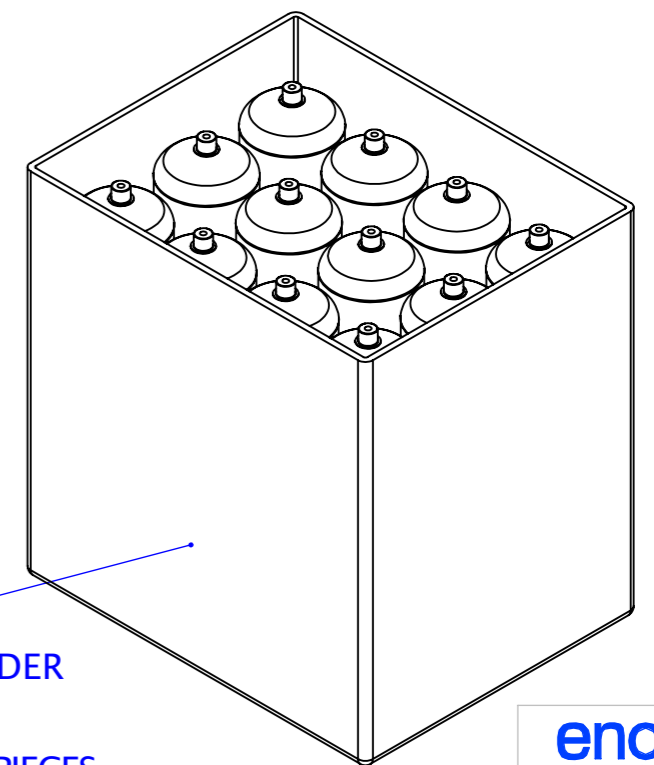
BAC DE CONDENSATION AMOVIBLE

ESPACE POUR CARTOUCHE DE GAZ

FILTRE A AIR AMOVIBLE NETTOYER SI NECESSAIRE



6449 CODE POUR COMMANDER CARTOUCHE JETABLE ARGON M11x10,95Lt UN 1006, 2.2 (E) NR.12 PIECES



TITLE		UNICA - 8 BOTT.	
DWG NO.	ELC380-YM000	A3	
QUOTE SENZA INDICAZIONI DI TOLLERANZA SECONDO UNI EN 22768-mH DIMENSIONS WITHOUT TOLERANCE FIGURES, ACCORDING TO UNI EN 22768-mH STANDARD			
SCALE: 1:5	LANGUAGE: ENGLISH	FINISH:	THICKNESS:
SHEET 3 OF 7			

PROPRIETARY AND CONFIDENTIAL THE INFORMATION CONTAINED IN THIS DRAWING IS THE SOLE PROPERTY OF ENOMATIC. ANY REPRODUCTION IN PART OR AS A WHOLE WITHOUT THE WRITTEN PERMISSION OF ENOMATIC IS PROHIBITED.

REV.	DESCRIPTION	DATE	EXECUTOR	CHK'D	APPV'D
CODE:	MATERIAL:				WEIGHTKg:
/	/	/	/	/	/

UNICA -8 BOUTEILLES

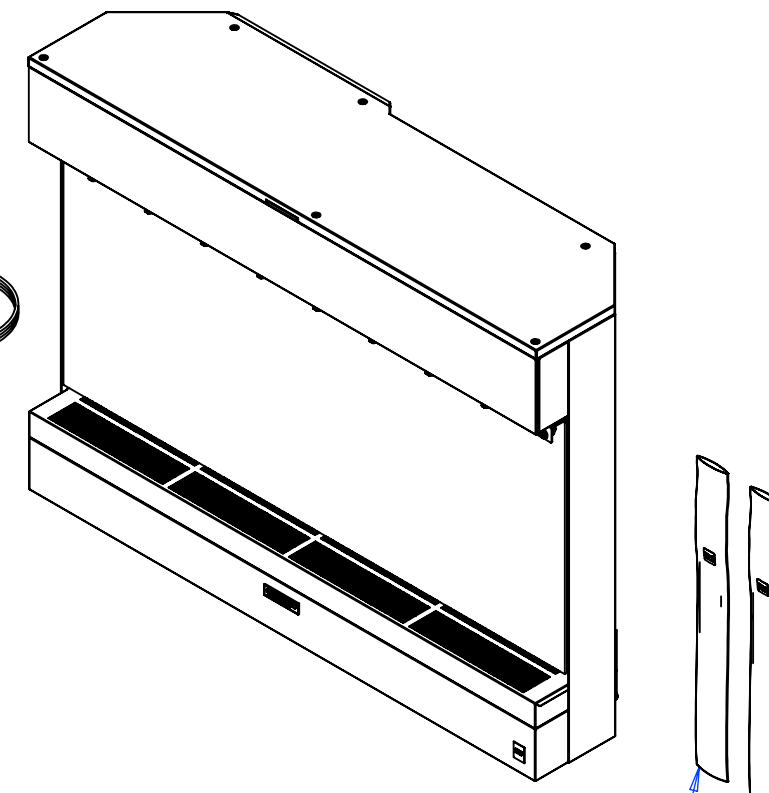
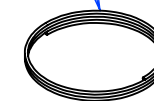
TAILLE	HAUTEUR (MIN -MAX)	704 mm				
	PROFONDEUR	317 mm				
	LARGEUR	951 mm				
POIDS(Kg)	57.5 Kg					
MATERIAUX	ACIER INOXYDABLE AISI 304 - VERRE					
SPECIFICATIONS ELECTRIQUES	MODELES DISPONIBLES					
	VOLTAGE (V)	100	115	110-127	200-220	220-240
	FREQUENCE (Hz)	50-60	60	60	50-60	50
	PUISSANCE (W)	85	125	85	105	128
	AMPERAGE (A)	0.95	1.5	0.95	0.55	0.75
SPECIFICATIONS COMPRESSEUR DE FROID	GAZ REFRIGERANT	R-134A				
	CONTROLE DE LA TEMPERATURE	CONTROLEUR ELECTRONIQUE				
	METHODE DE DEGIVRAGE	AUTOMATIQUE VIA UN CONTROLEUR ELECTRONIQUE				
	CONTROLEUR DE TEMPERATURE	DIGITAL				
GAZ POUR PRESSION DE SERVICE (ARGON OR NITROGEN)		MPa 0.4÷0.6(4÷6Bar)				
FORMAT DES BOUTEILLES	HAUTEUR	220÷365mm				
	Ø MAX	TAP 1	105 mm			
		TAP 2	101 mm			
		TAP 3	93 mm			
		TAP 4	90 mm			
		TAP 5	97 mm			
		TAP 6	105 mm			
		TAP 7	105 mm			
		TAP 8	105 mm			

NOTE

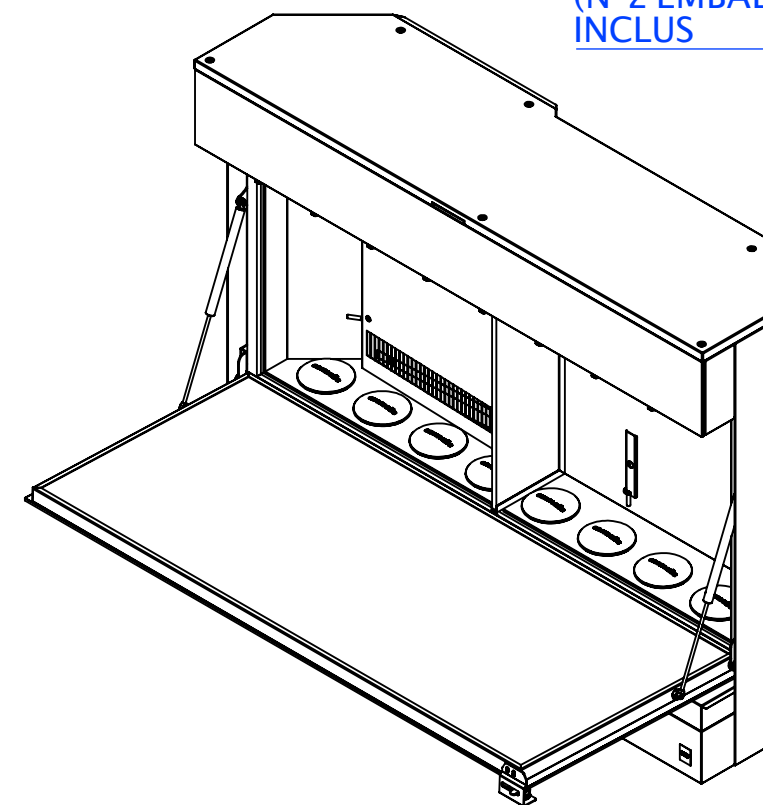
-TOUTES LES MESURES SONT EN mm

PROPRIETARY AND CONFIDENTIAL  
THE INFORMATION CONTAINED IN THIS  
DRAWING IS THE SOLE PROPERTY OF  
ENOMATIC. ANY REPRODUCTION IN  
PART OR AS A WHOLE WITHOUT THE  
WRITTEN PERMISSION OF ENOMATIC  
IS PROHIBITED.

3 METRES DE TUBE  
Ø 4mm D.E.  
(Ø 2.5 D.I.)  
INCLUS



PAILLES AVEC FILTRE  
(N°2 EMBALLAGE DE 5 PIECES)  
INCLUS



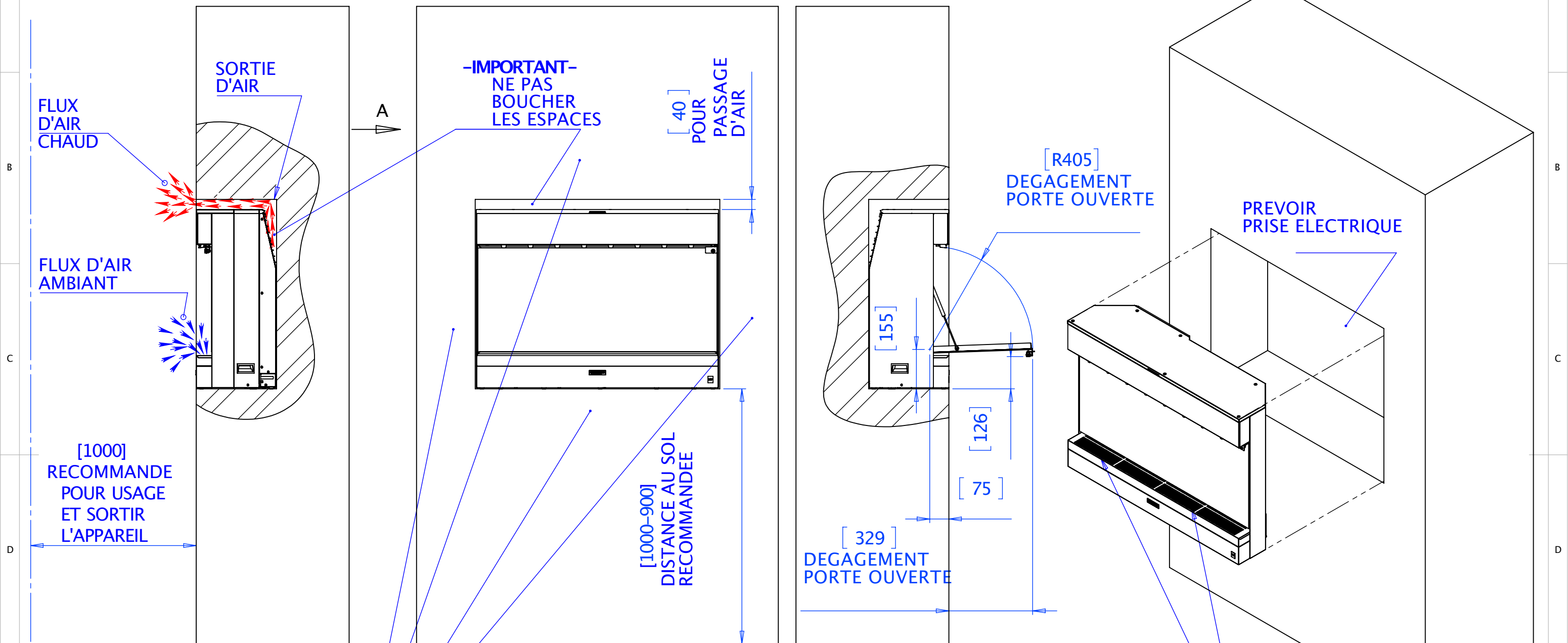
**enomatic®**  
wine serving systems

TITLE	UNICA -8 BOTT.		
DWG NO.	ELC380-YM000		A3
QUOTE SENZA INDICAZIONI DI TOLLERANZA SECONDO UNI EN 22768-mH DIMENSIONS WITHOUT TOLERANCE FIGURES, ACCORDING TO UNI EN 22768-mH STANDARD			
SCALE: 1:10	LANGUAGE: ENGLISH	FINISH:	THICKNESS:
			SHEET 4 OF 7

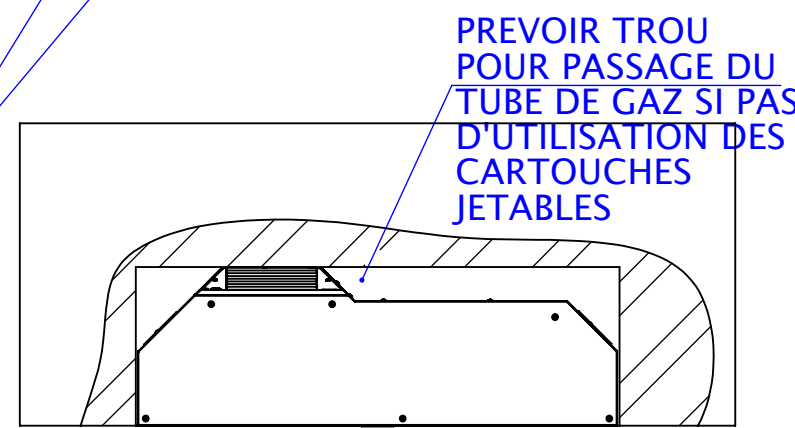
REV.	DESCRIPTION	DATE	EXECUTOR	CHK'D	APPV'D
CODE:	MATERIAL:				WEIGHTKg:
/	/	/	/	/	/

# 1 - EXEMPLE D'INSTALLATION - DANS UNE NICHE

(DIMENSIONS EN mm DES ESPACES MINIMUM REQUIS POUR DES PERFORMANCES OPTIMALES)



LES PAROIS DE LA NICHE DOIVENT ETRE FACILES A RETIRER POUR FACILITER LES OPERATIONS DE MAINTENANCE. OU NOUS RECOMMANDONS DE CONSTRUIRE UN SUPPORT SUR RAIL POUR SORTIR L'APPAREIL.



**NOTE**  
 -ATTENTION: NE PAS INSTALLER LES APPAREILS PRES D'UNE SOURCE DE CHALEUR OU D'HUMIDITE  
 -TOUTES LES MESURES SONT EN [mm]

**ATTENTION**  
 ENTREE D'AIR DEPUIS LA GRILLE NE PAS OBSTRUER



TITLE: **UNICA - 8 BOTT.**

DWG NO. **ELC380-YM000**

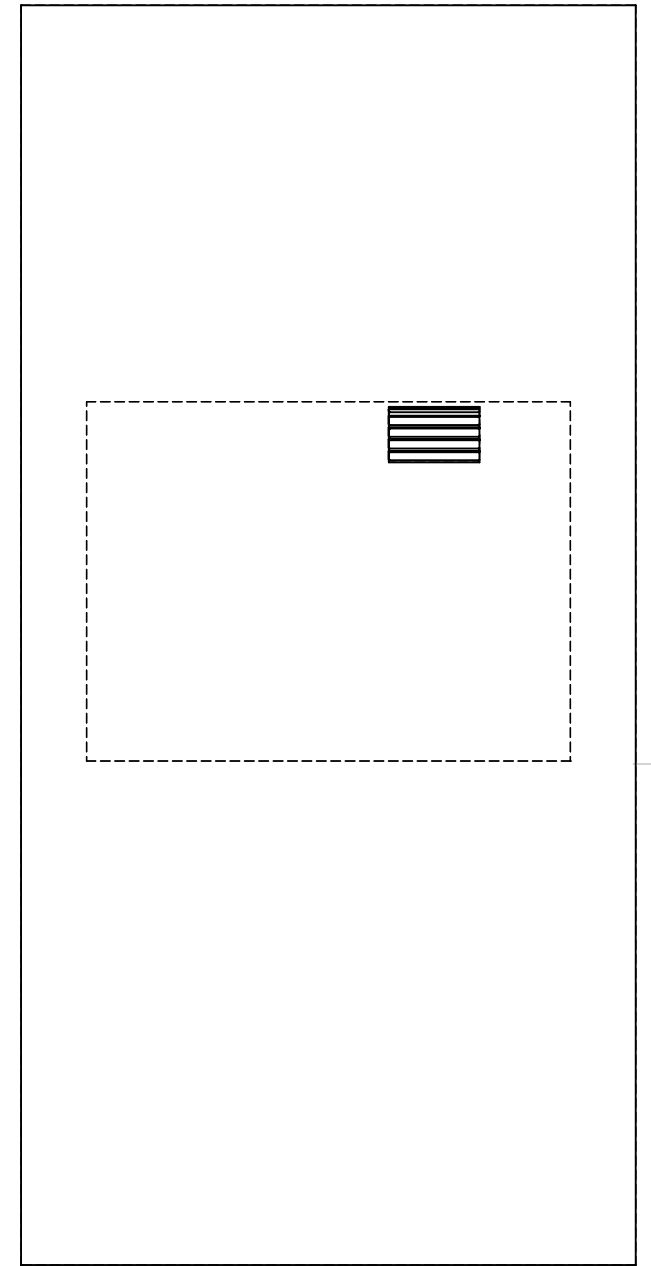
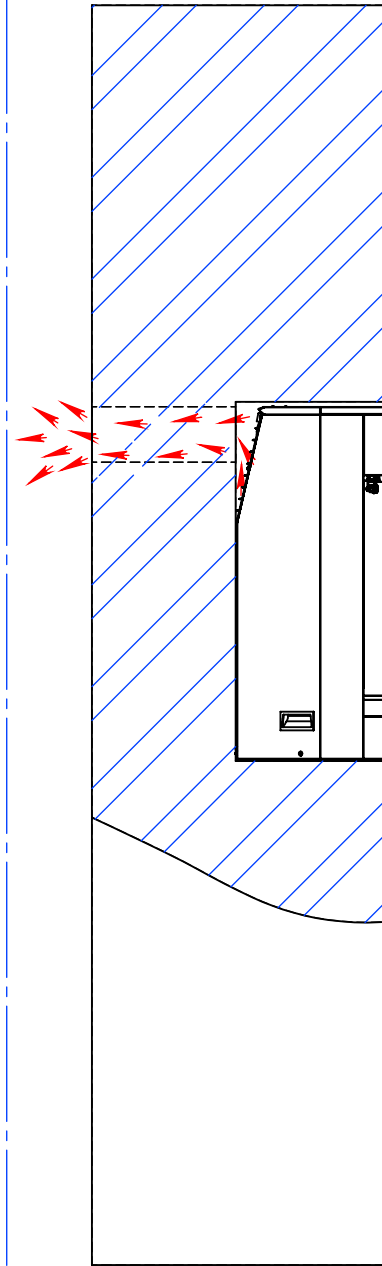
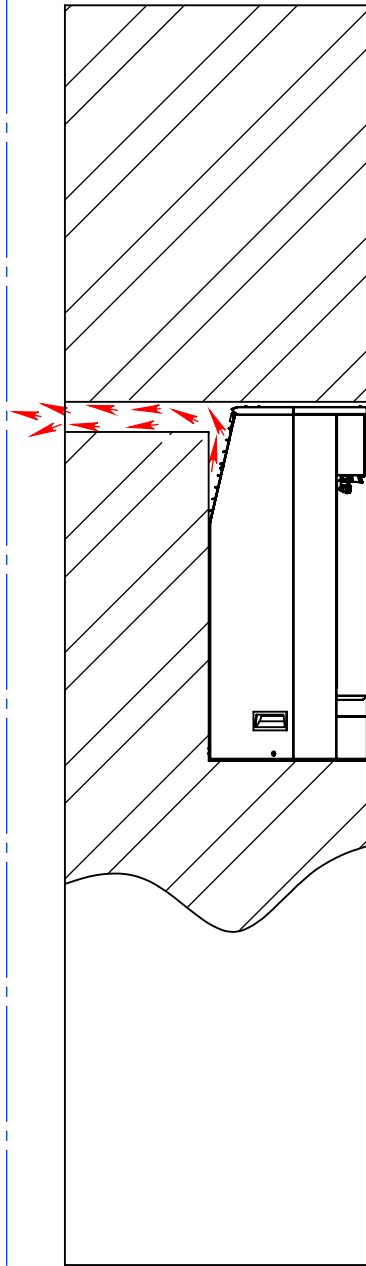
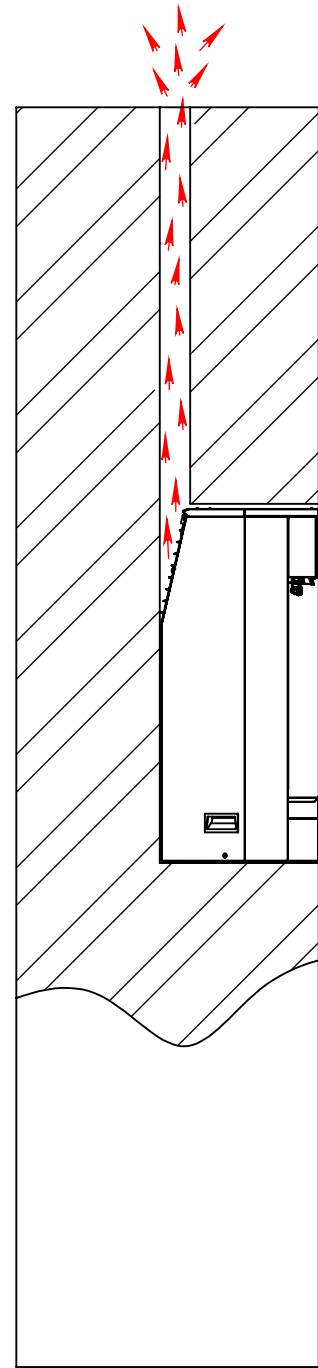
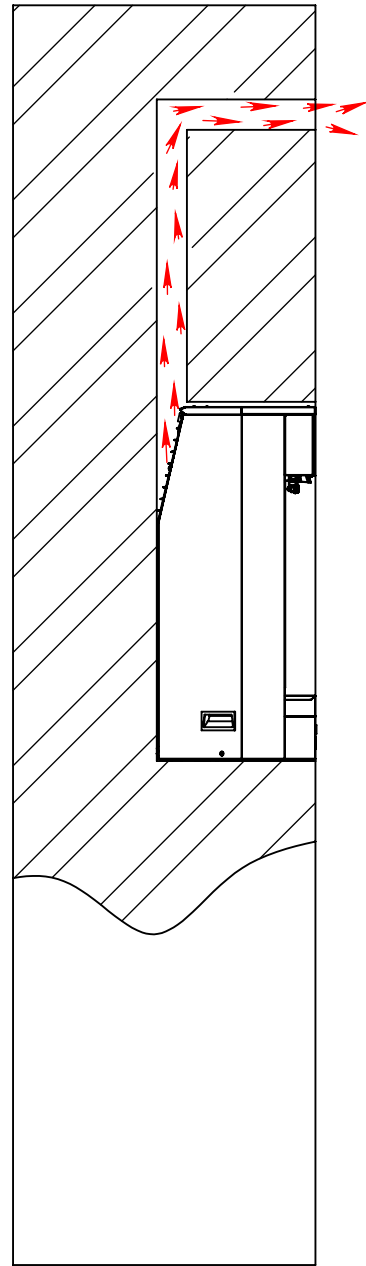
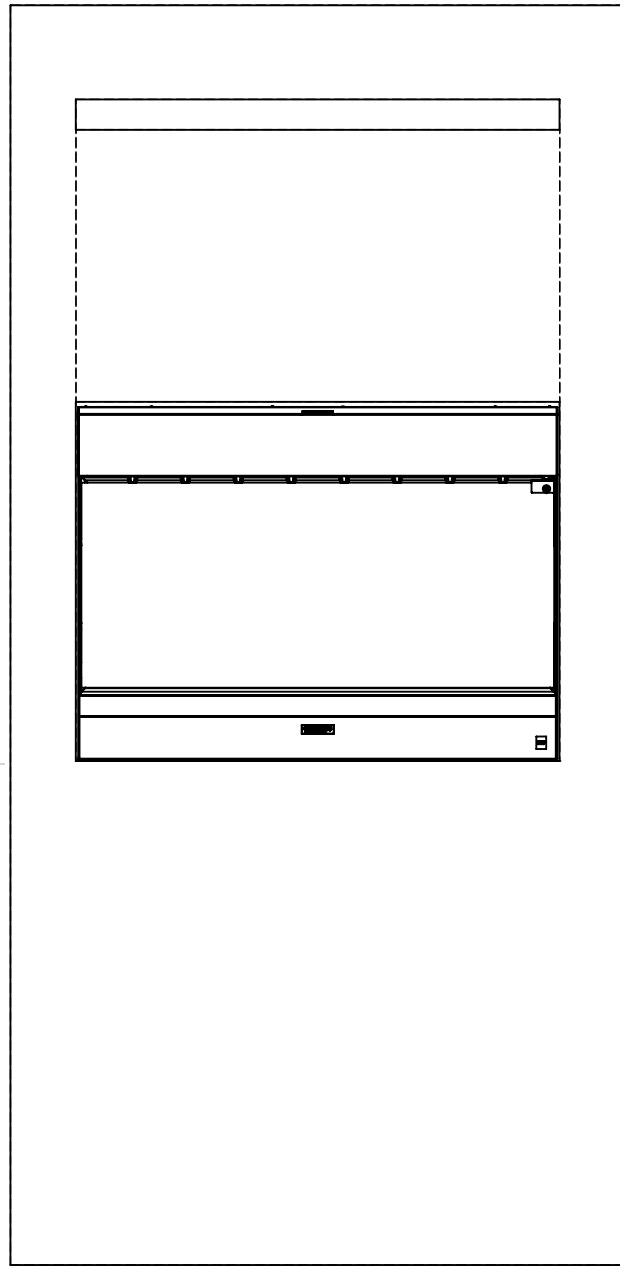
SCALE: 1:15 LANGUAGE: ENGLISH FINISH: THICKNESS:

A3 SHEETS OF 7

PROPRIETARY AND CONFIDENTIAL  
 THE INFORMATION CONTAINED IN THIS DRAWING IS THE SOLE PROPERTY OF ENOMATIC. ANY REPRODUCTION IN PART OR AS A WHOLE WITHOUT THE WRITTEN PERMISSION OF ENOMATIC IS PROHIBITED.

REV.	DESCRIPTION	DATE	EXECUTOR	CHK'D	APPV'D
CODE:	MATERIAL:				WEIGHTKg:
/	/	/	/	/	/

**3-4 EXEMPLES D'INSTALLATION - ENCASTRE -  
PASSAGE D'AIR POUR CHAQUE APPAREIL PLUS GRAND QUE 10000mm<sup>2</sup>**



**1**

**2**

**3**

**4**



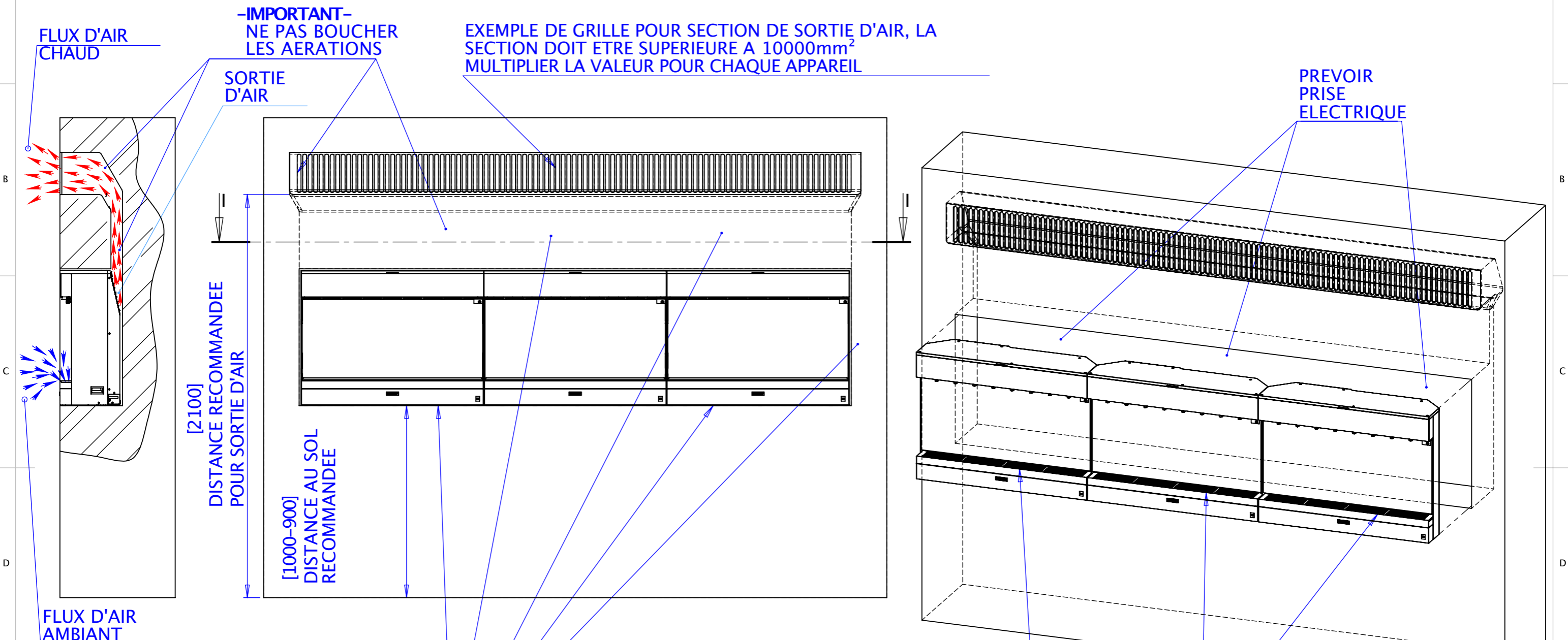
TITLE		<b>UNICA - 8 BOTT.</b>	
DWG NO.	<b>ELC380-YM000</b>	A3	
<small>QUOTE SENZA INDICAZIONI DI TOLLERANZA SECONDO UNI EN 22768-mH DIMENSIONS WITHOUT TOLERANCE FIGURES, ACCORDING TO UNI EN 22768-mH STANDARD</small>			
SCALE: 1:15	LANGUAGE: ENGLISH	FINISH:	THICKNESS:
SHEET 6 OF 7		SHEET 6 OF 7	

PROPRIETARY AND CONFIDENTIAL  
THE INFORMATION CONTAINED IN THIS  
DRAWING IS THE SOLE PROPERTY OF  
ENOMATIC. ANY REPRODUCTION IN  
PART OR AS A WHOLE WITHOUT THE  
WRITTEN PERMISSION OF ENOMATIC  
IS PROHIBITED.

REV.	DESCRIPTION	DATE	EXECUTOR	CHK'D	APPV'D
CODE:	MATERIAL:				WEIGHT kg:
/	/	/	/	/	/



**3 - EXEMPLE D'INSTALLATION - ENCASTRE**  
 (DIMENSIONS EN mm DES ESPACES MINIMUM REQUIS POUR DES PERFORMANCES OPTIMALES)

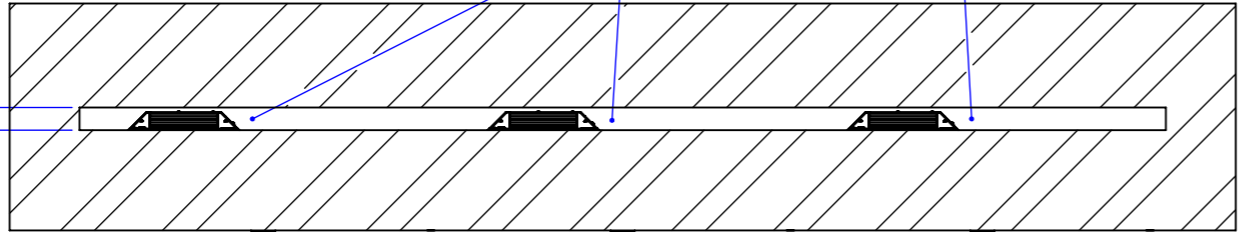


LES PAROIS DE LA NICHE DOIVENT ETRE FACILES A RETIRER POUR FACILITER LES OPERATIONS DE MAINTENANCE. OU NOUS RECOMMANDONS DE CONSTRUIRE UN SUPPORT SUR RAIL POUR SORTIR L'APPAREIL.

PREVOIR TROU POUR PASSAGE DU TUBE DE GAZ SI PAS D'UTILISATION DES CARTOUCHES JETABLES

NOTE  
 -ATTENTION: NE PAS INSTALLER LES APPAREILS PRES D'UNE SOURCE DE CHALEUR OU D'HUMIDITE  
 -TOUTES LES MESURES SONT EN [mm]

10000 mm<sup>2</sup>  
 SECTION MINIMALE POUR PASSAGE DE L'AIR



SECTION I-I

PROPRIETARY AND CONFIDENTIAL  
 THE INFORMATION CONTAINED IN THIS DRAWING IS THE SOLE PROPERTY OF ENOMATIC. ANY REPRODUCTION IN PART OR AS A WHOLE WITHOUT THE WRITTEN PERMISSION OF ENOMATIC IS PROHIBITED.

REV.	DESCRIPTION	DATE	EXECUTOR	CHK'D	APPV'D
CODE:	MATERIAL:				WEIGHTKg:
/	/	/	/	/	/

**enomatic®**  
wine serving systems

TITLE: **UNICA - 8 BOUTEILLES**

DWG NO. **ELC380-YM000** A3

QUOTE SENZA INDICAZIONI DI TOLLERANZA SECONDO UNI EN 22768-mH  
 DIMENSIONS WITHOUT TOLERANCE FIGURES, ACCORDING TO UNI EN 22768-mH STANDARD

SCALE: 1:20 LANGUAGE: ENGLISH FINISH: THICKNESS: SHEET 7 OF 7